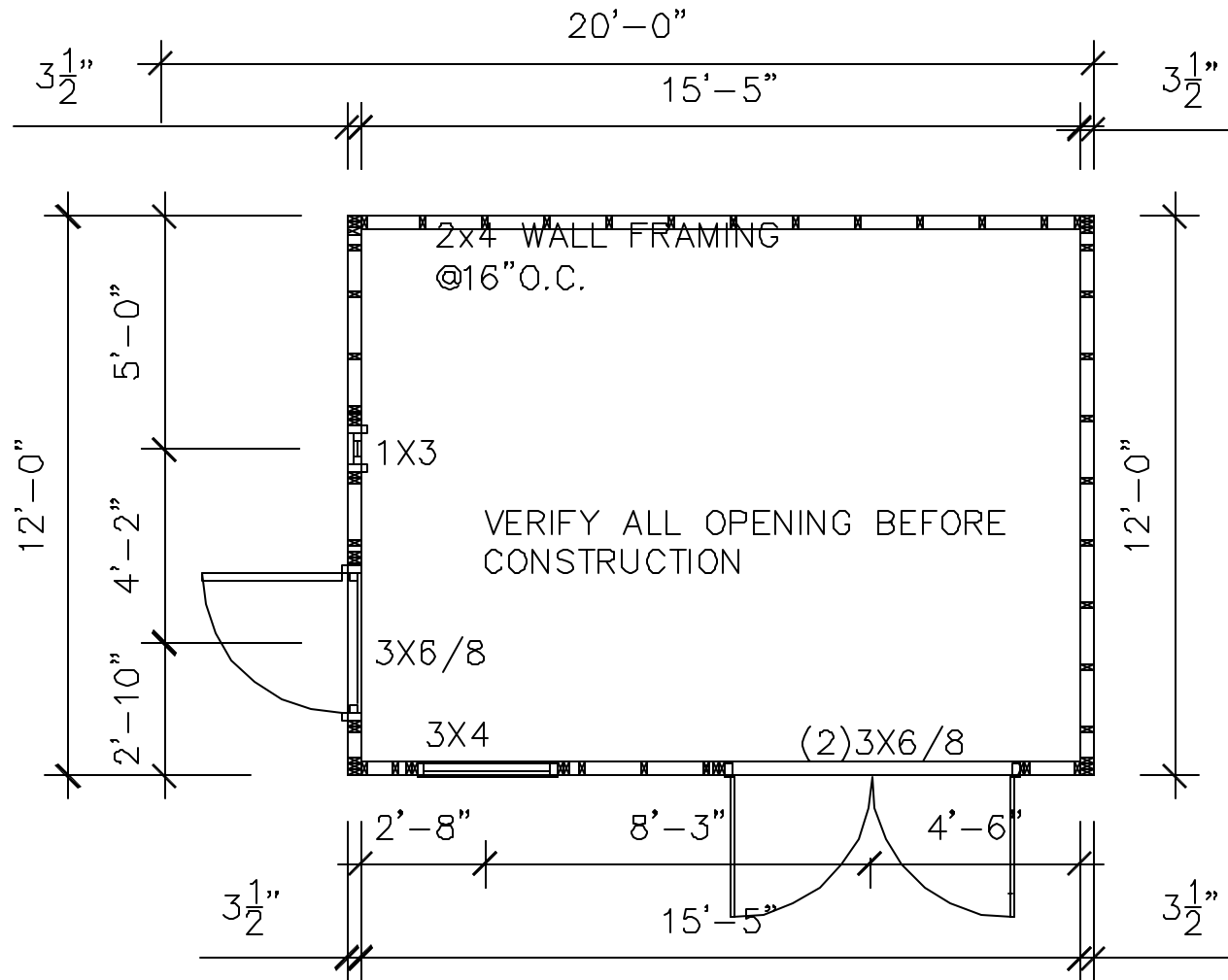
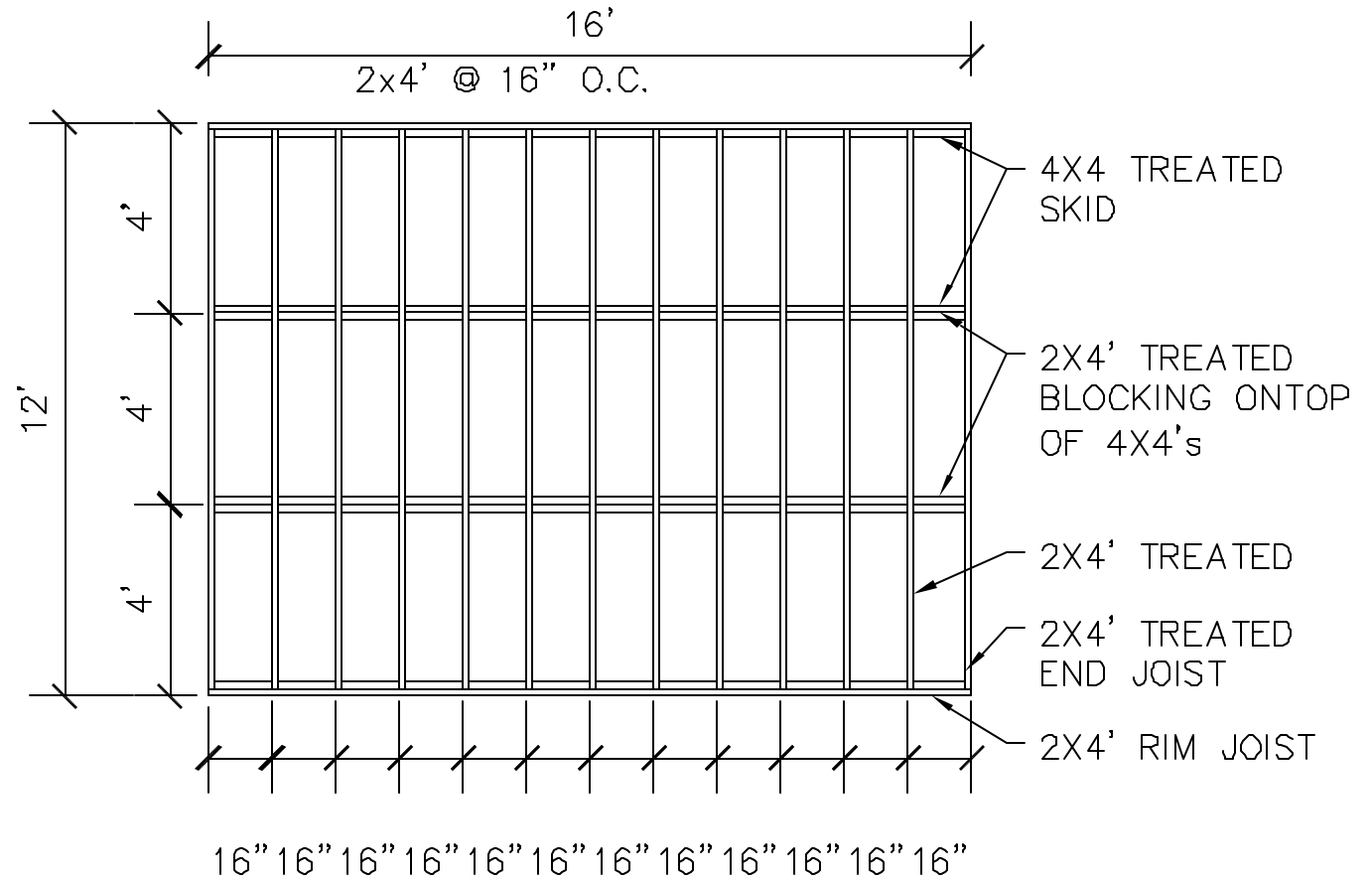
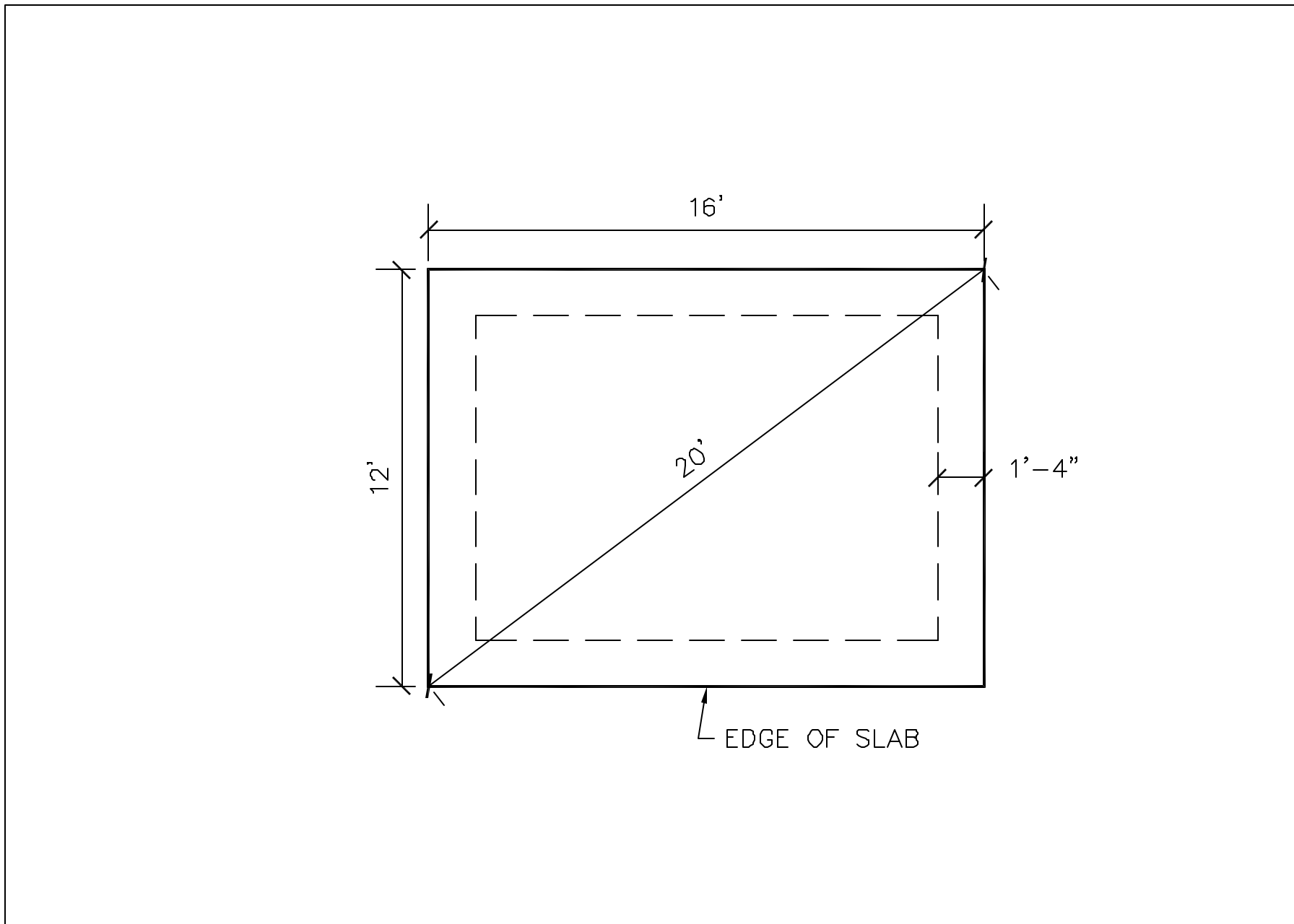


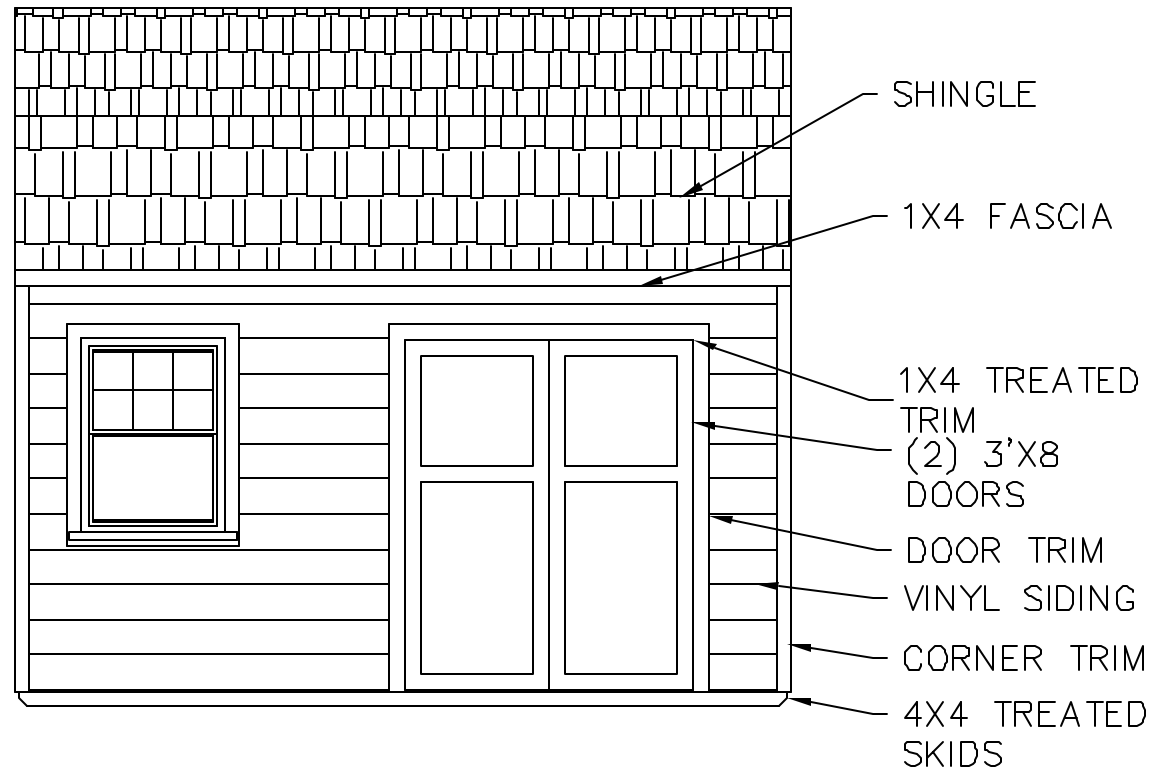
PROJECT PLAN INDEX

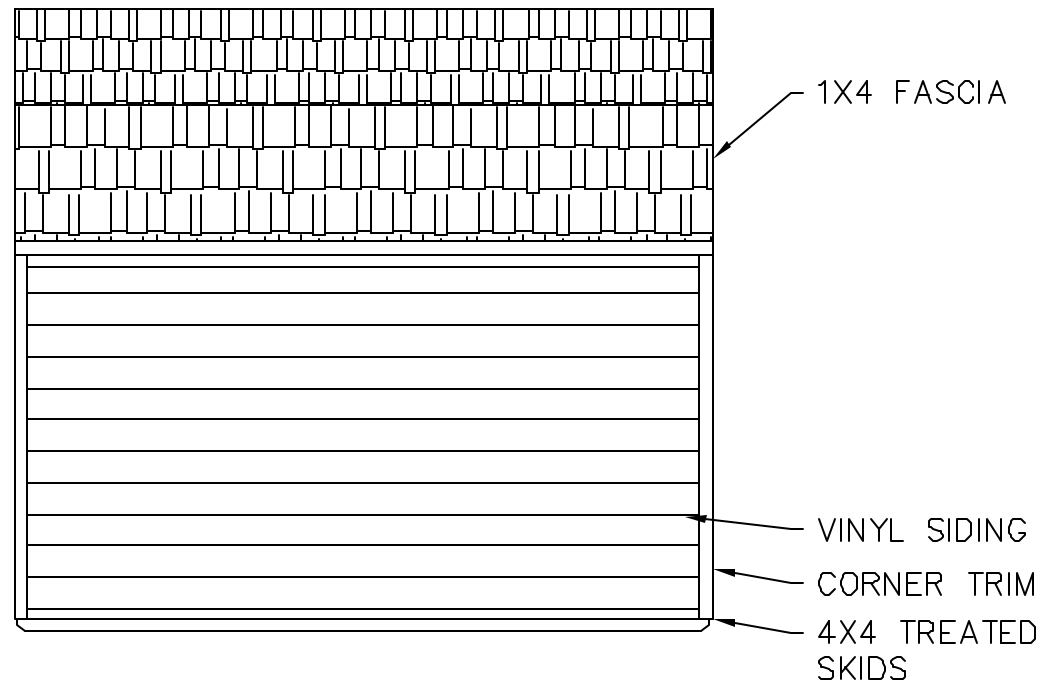
DISCLAIMER	1
FLOOR PLAN	2
WOOD FOUNDATION PLAN	3
CONCRETE FOUNDATION PLAN	4
DELUXE FRONT ELEVATION	5
DELUXE REAR ELEVATION	6
DELUXE RIGHT ELEVATION	7
DELUXE LEFT ELEVATION	8
ECONOMY FRONT ELEVATION	9
ECONOMY REAR ELEVATION	10
ECONOMY RIGHT ELEVATION	11
ECONOMY LEFT ELEVATION	12
WALL SECTION	13
RAFTER VIEW	14
TRUSS A	15
TRUSS B	16
PLYWOOD GUSSET A	17
PLYWOOD GUSSET B	18
BOTTOM TRUSS CORD	19
TRUSS LAYOUT	20
FULL SIZE TEMPLATE D	21
FULL SIZE TEMPLATE E	22
FULL SIZE TEMPLATE F	23
FULL SIZE TEMPLATE G	24
FULL SIZE TEMPLATE H	25
ROOF PLAN	26

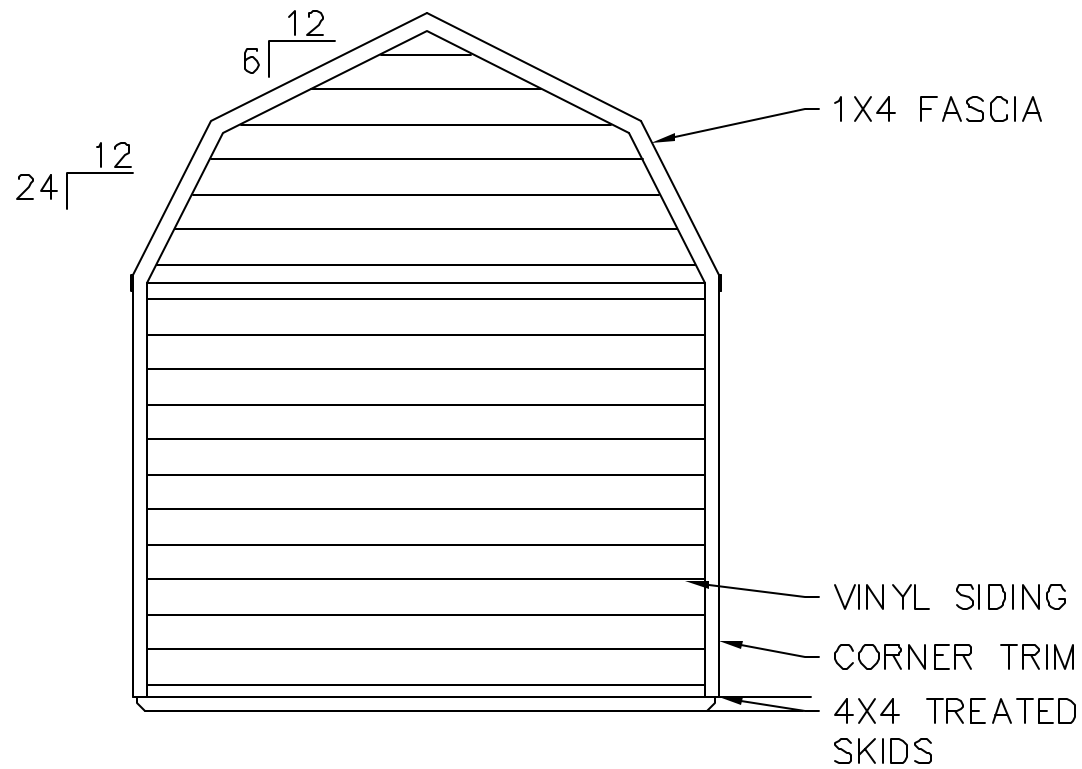


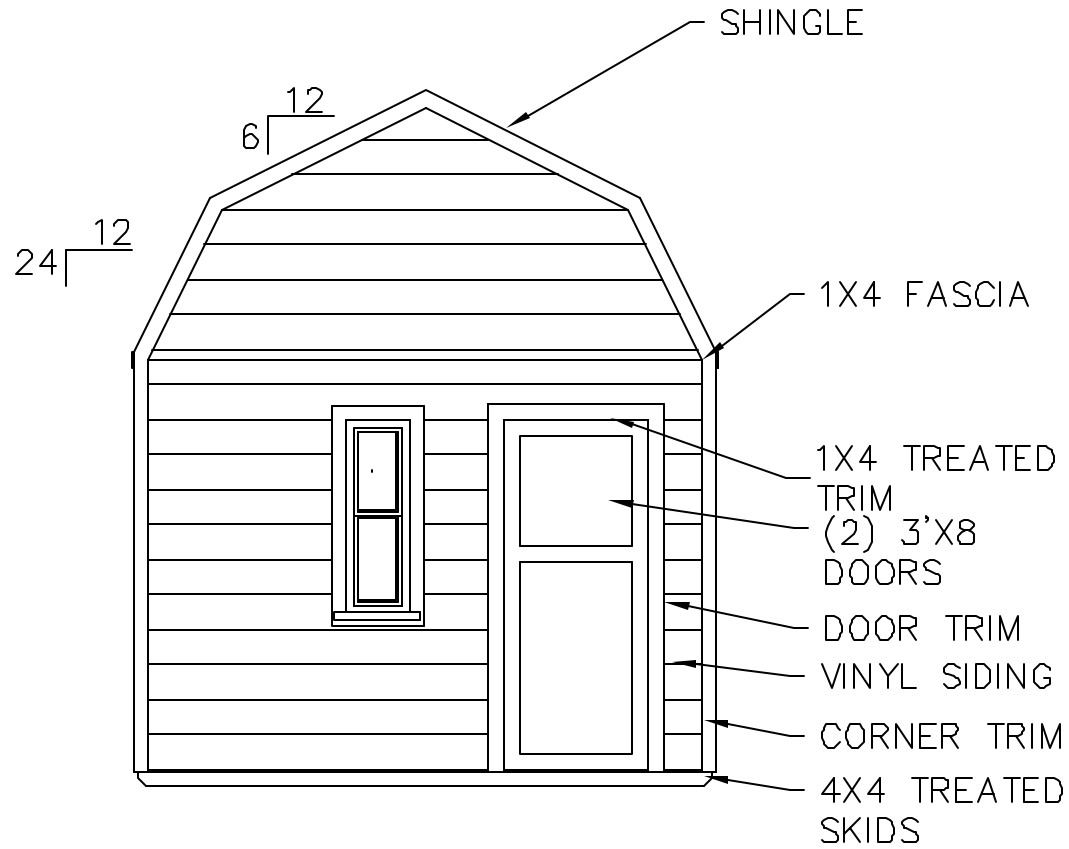


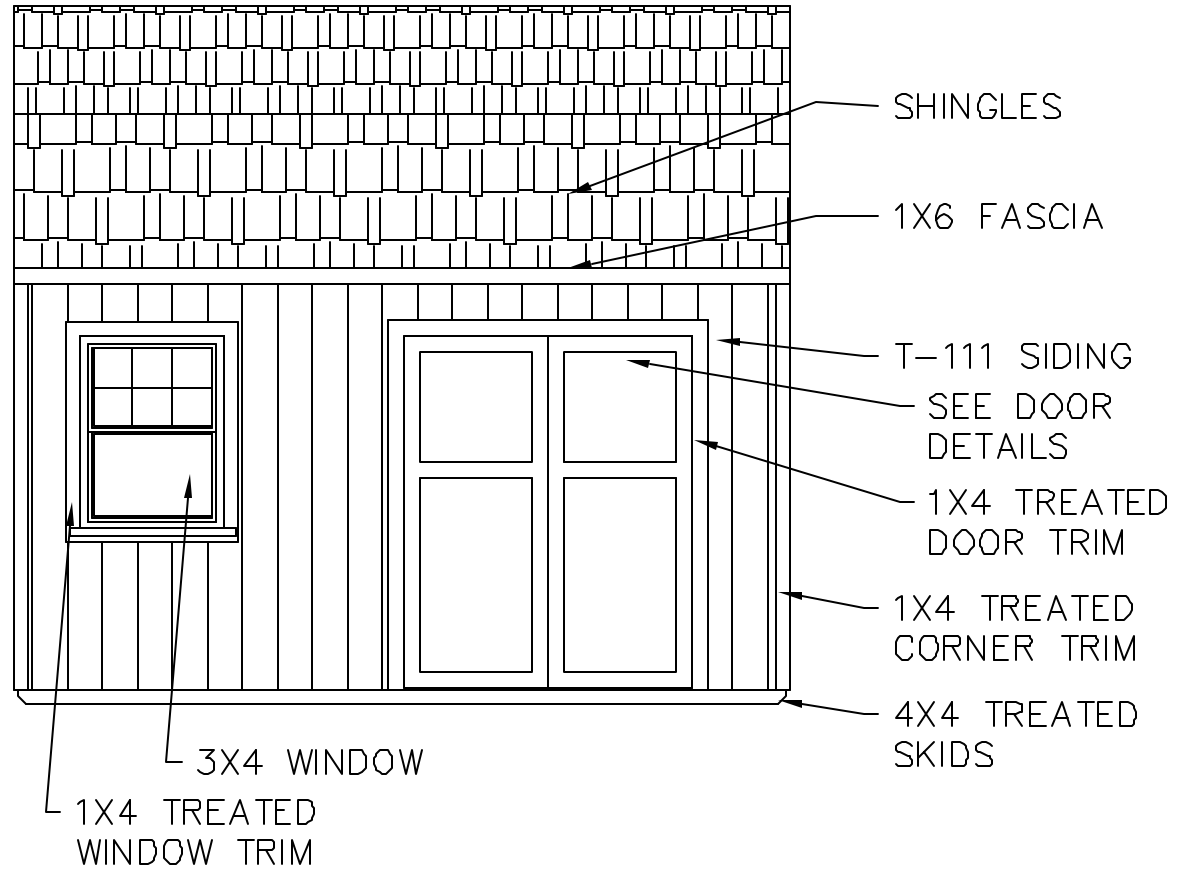


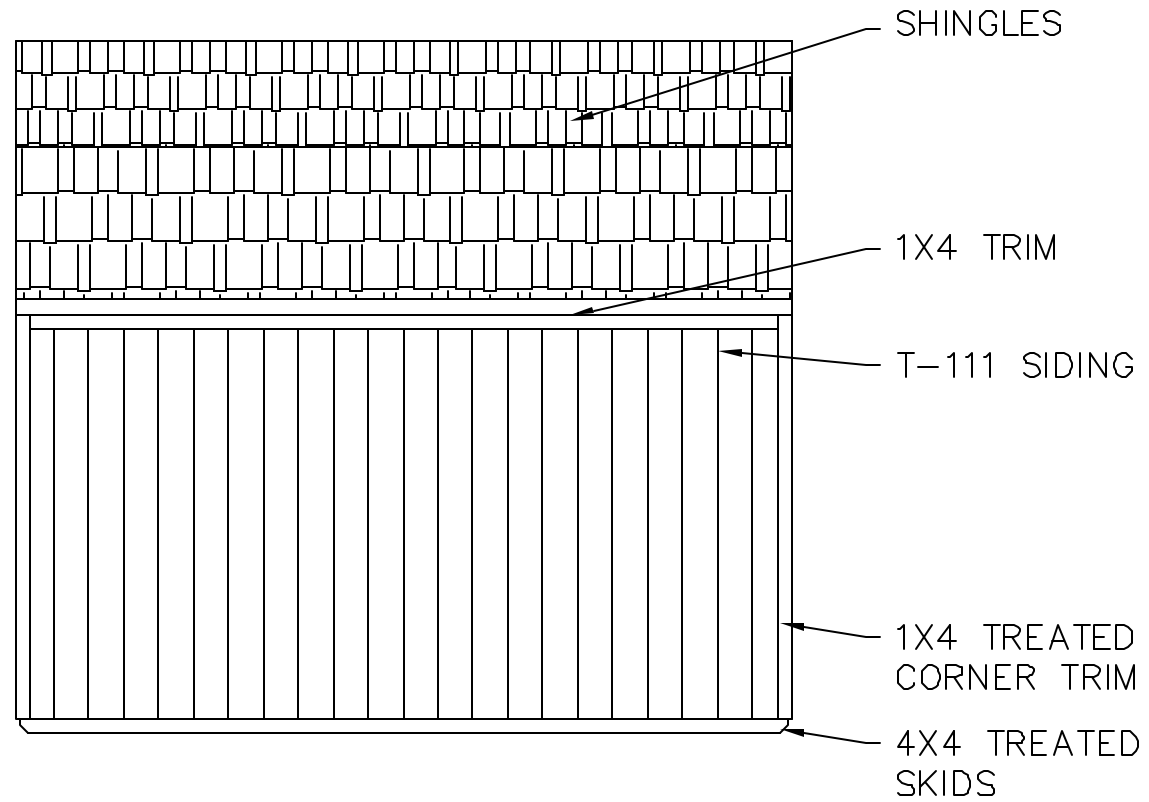


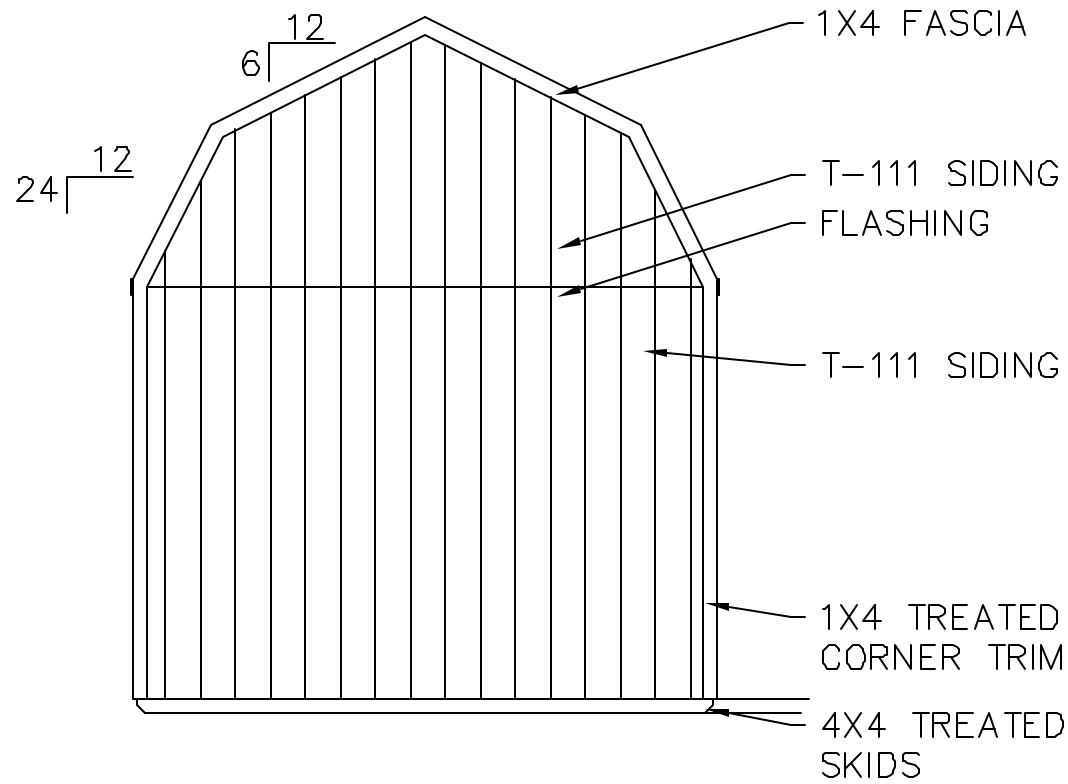


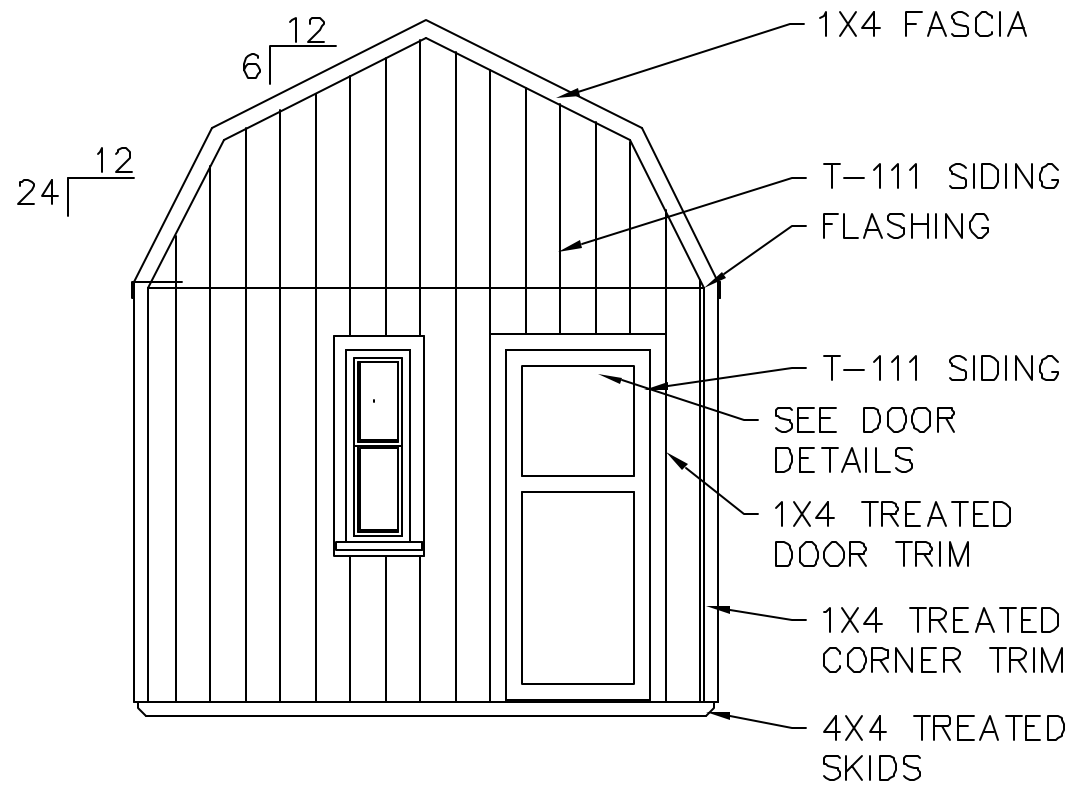


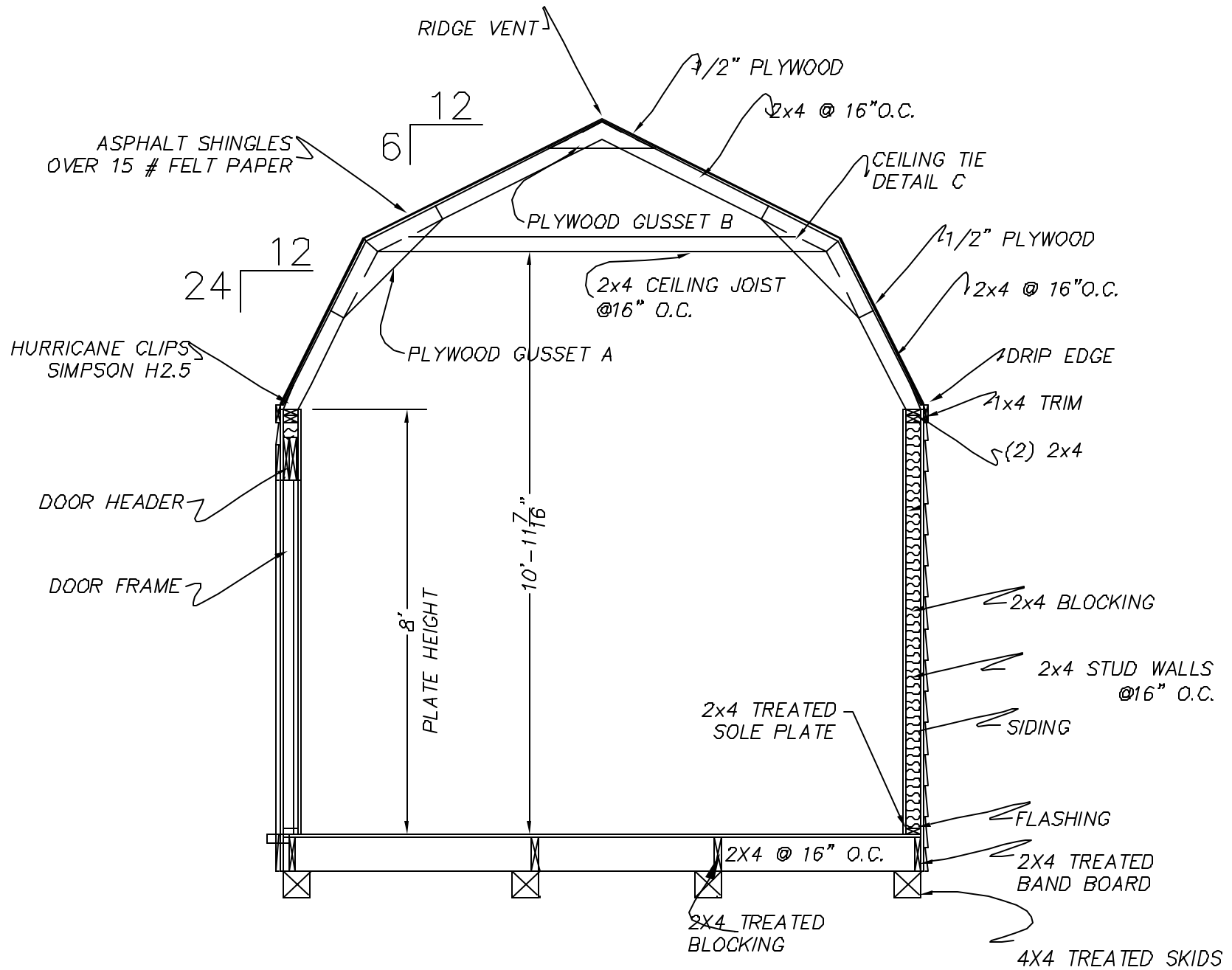


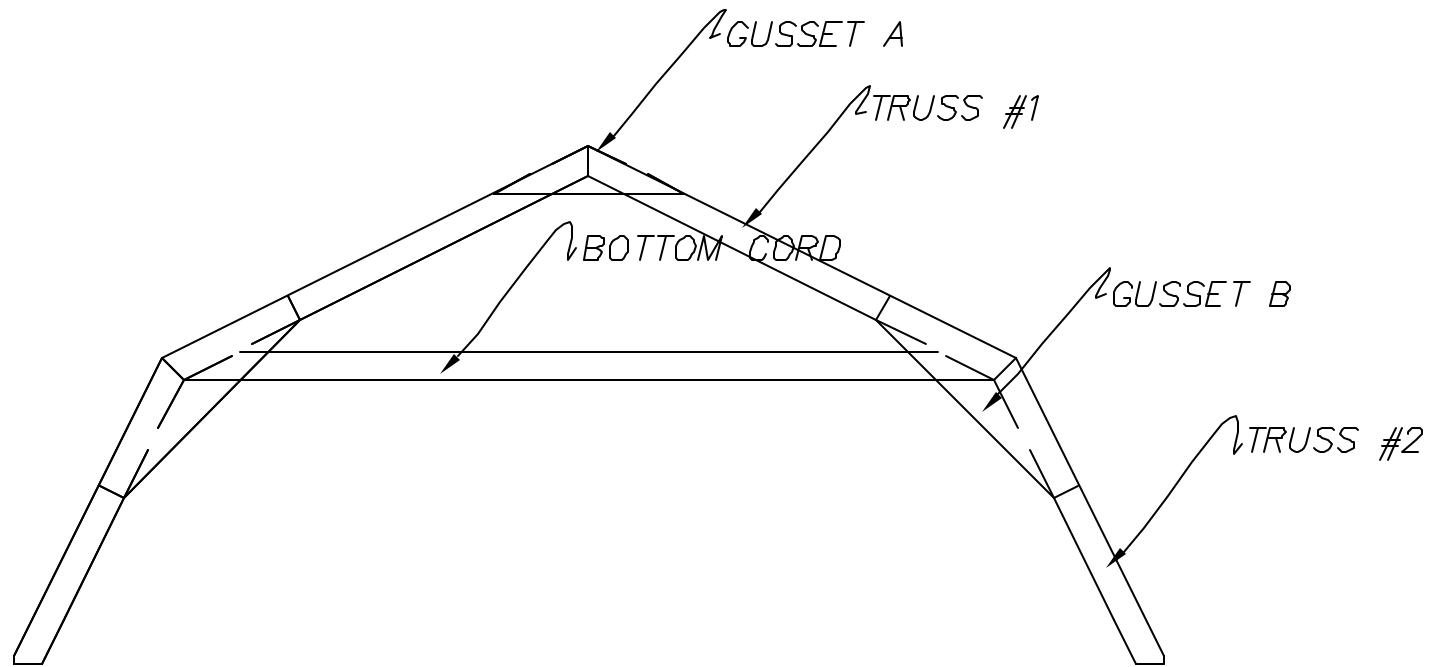


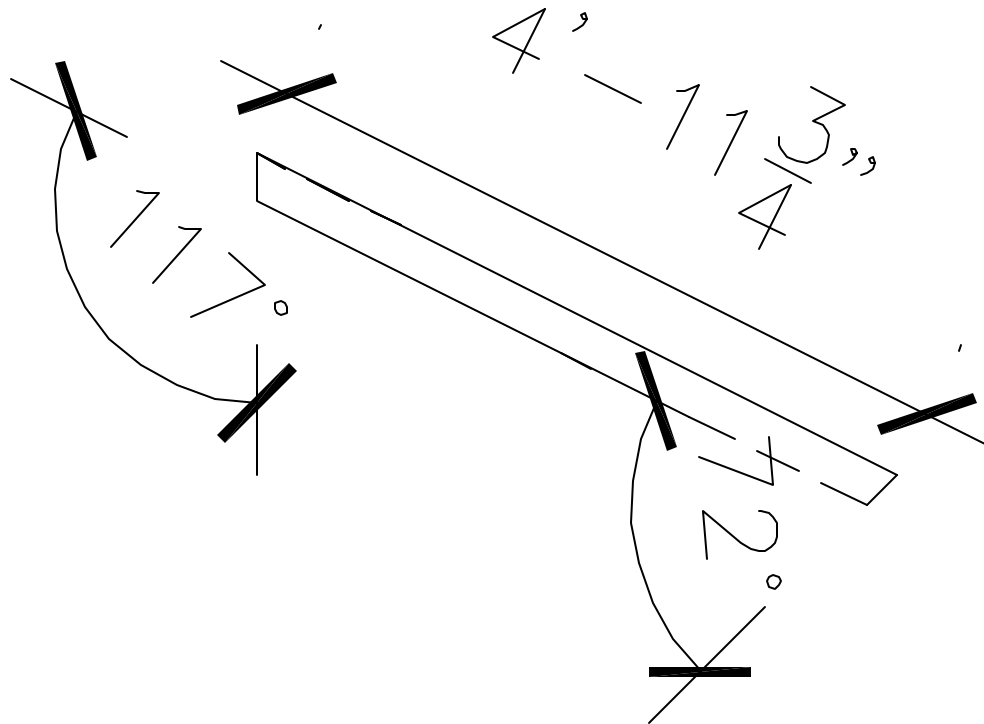


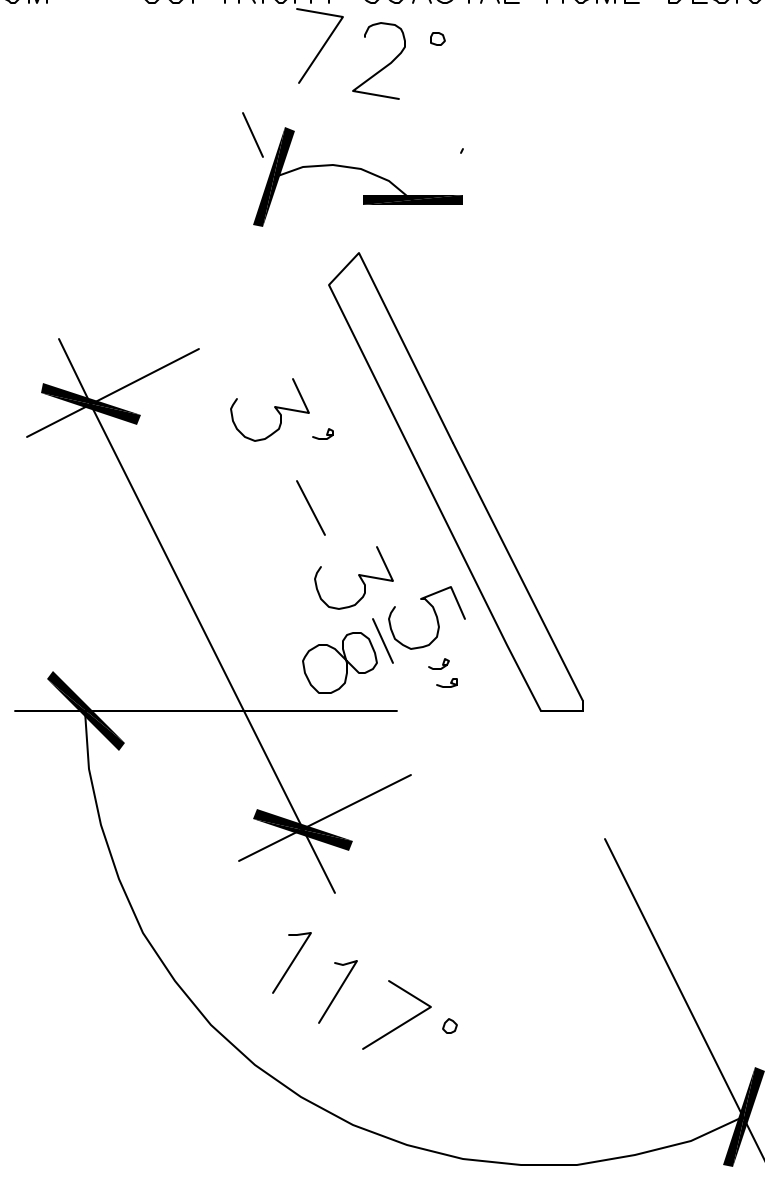


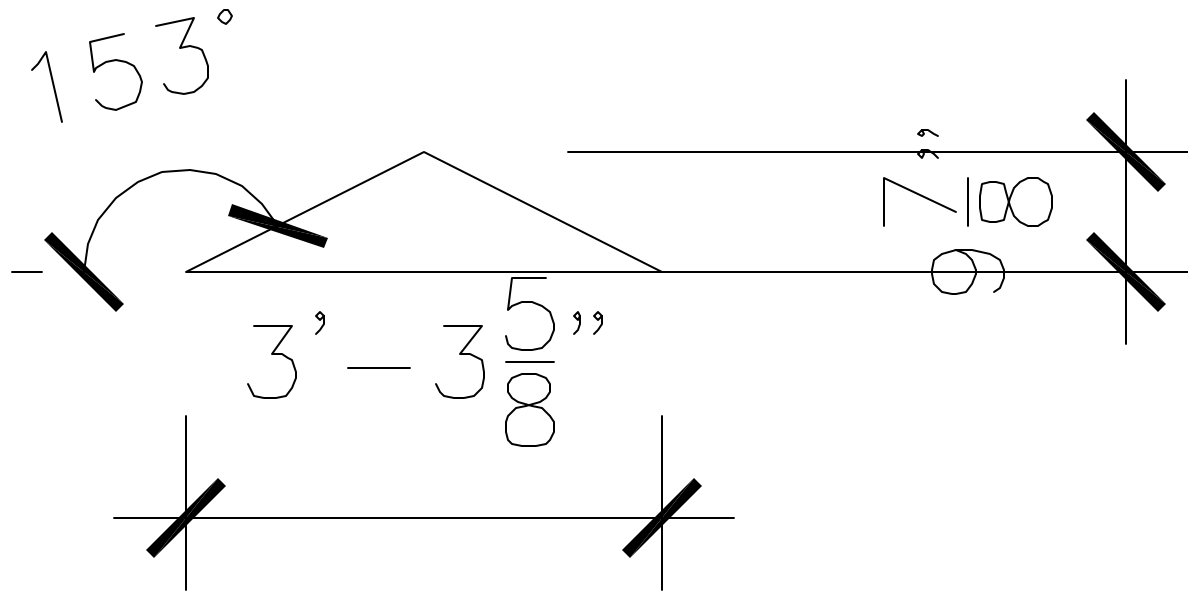
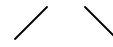


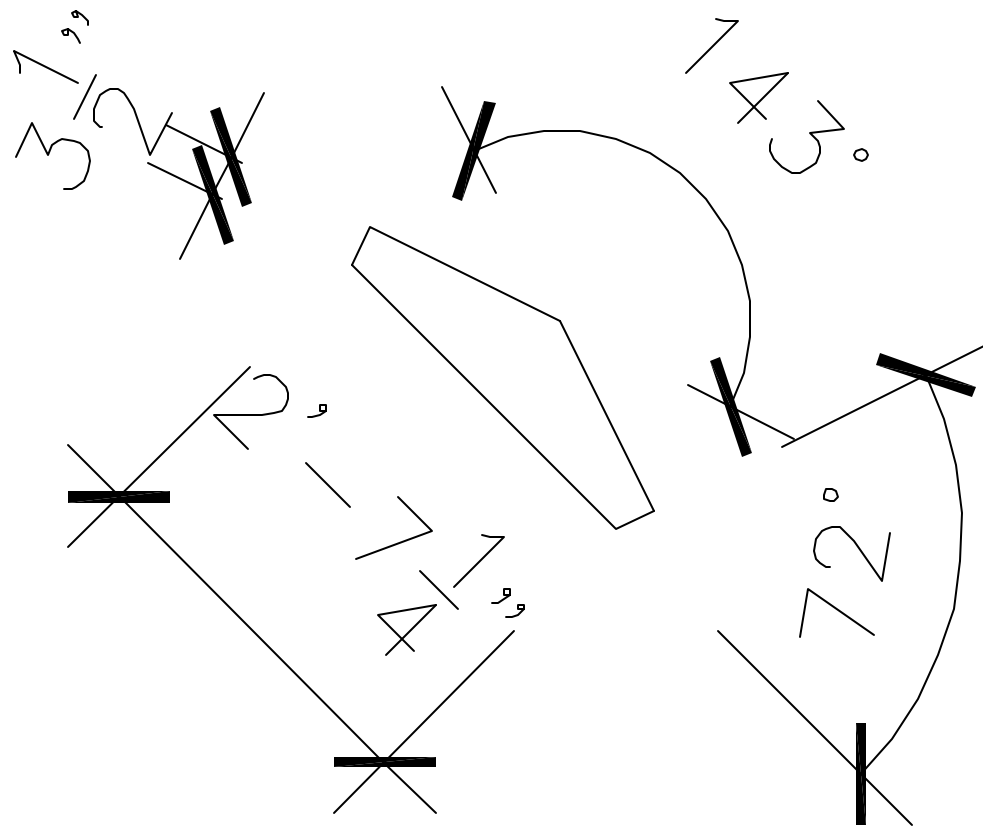


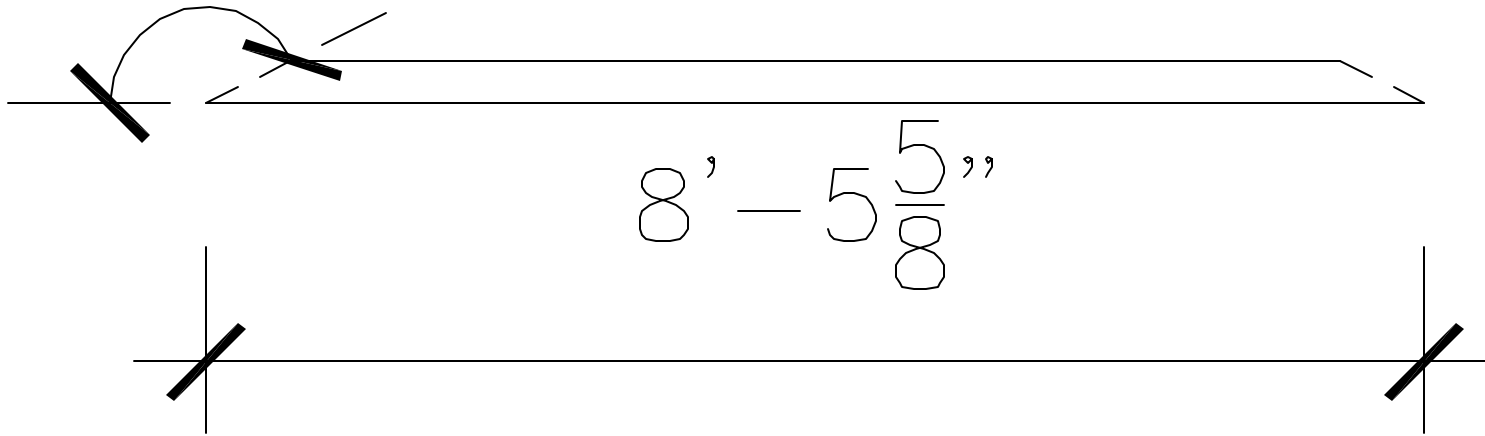


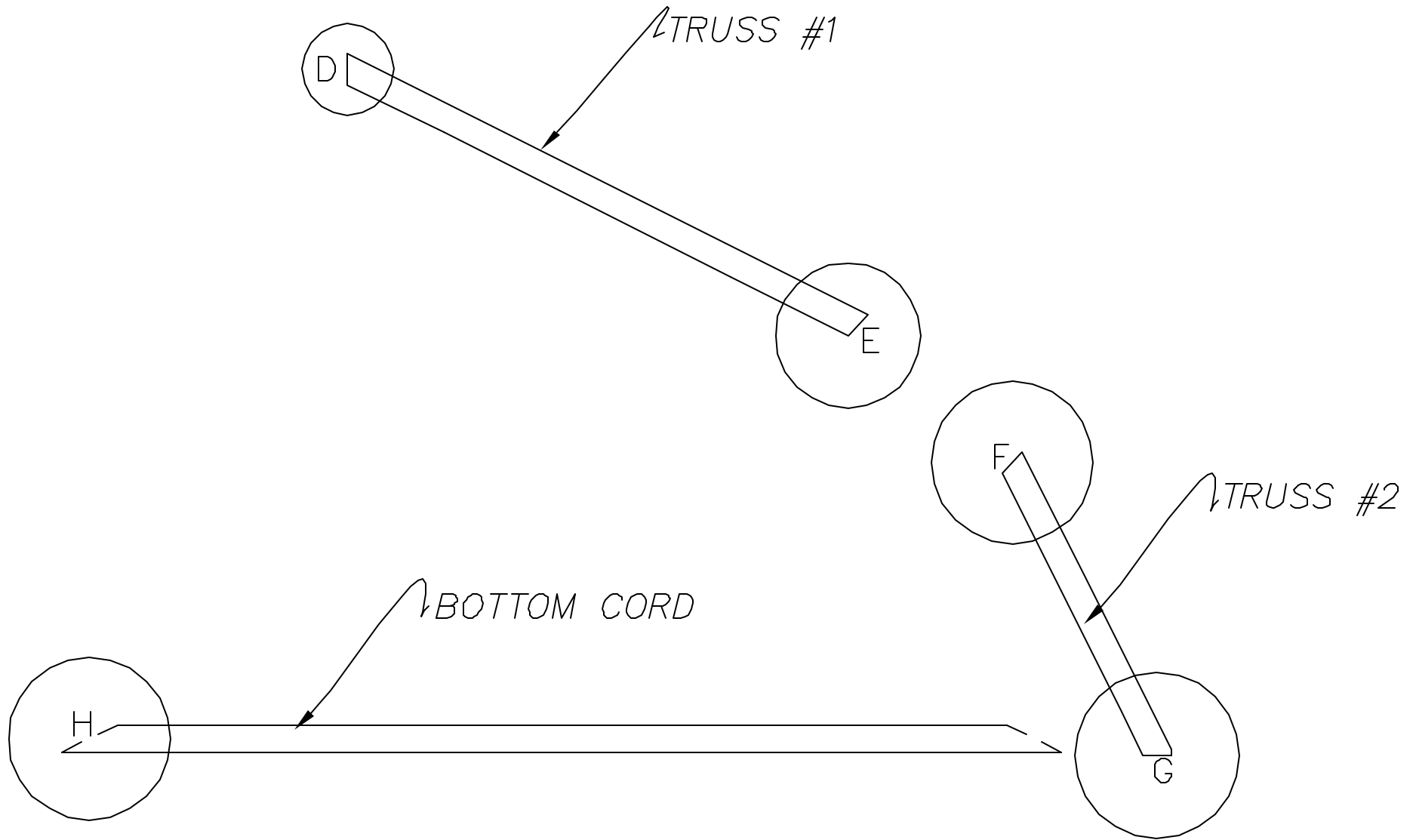


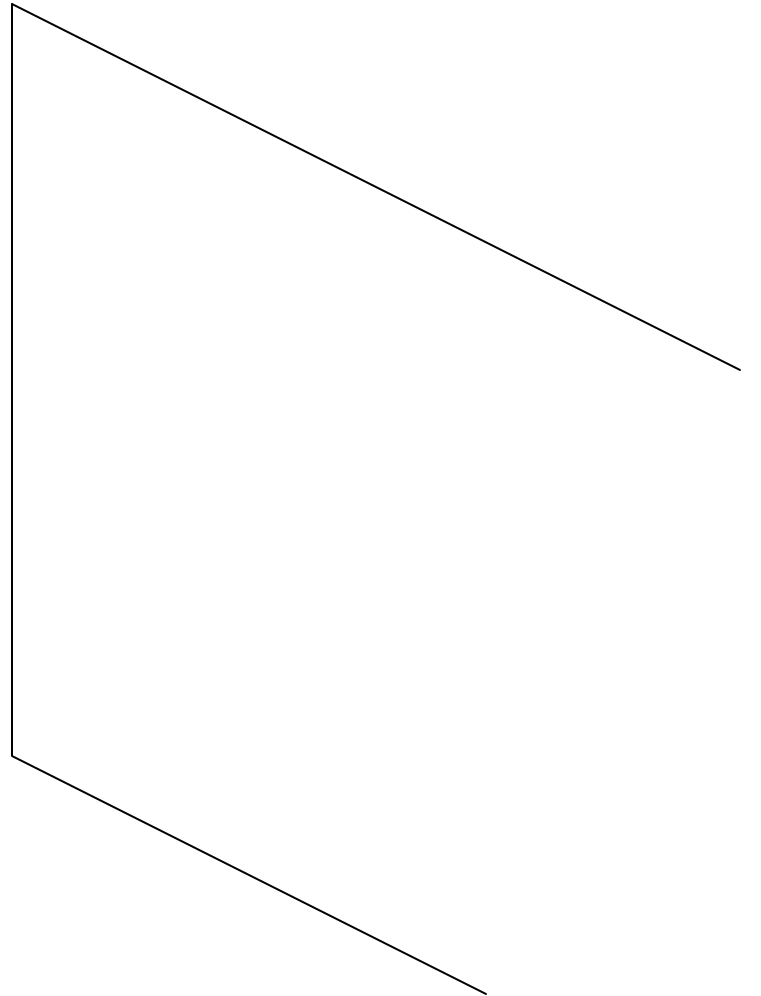
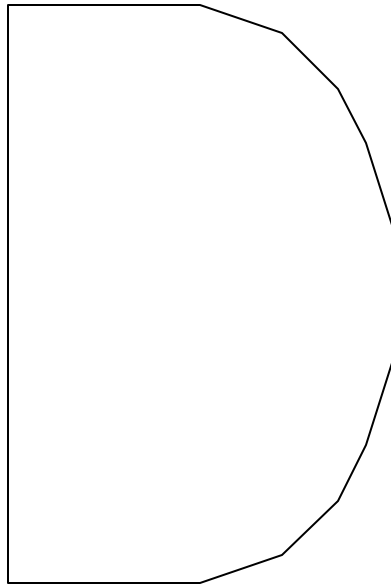
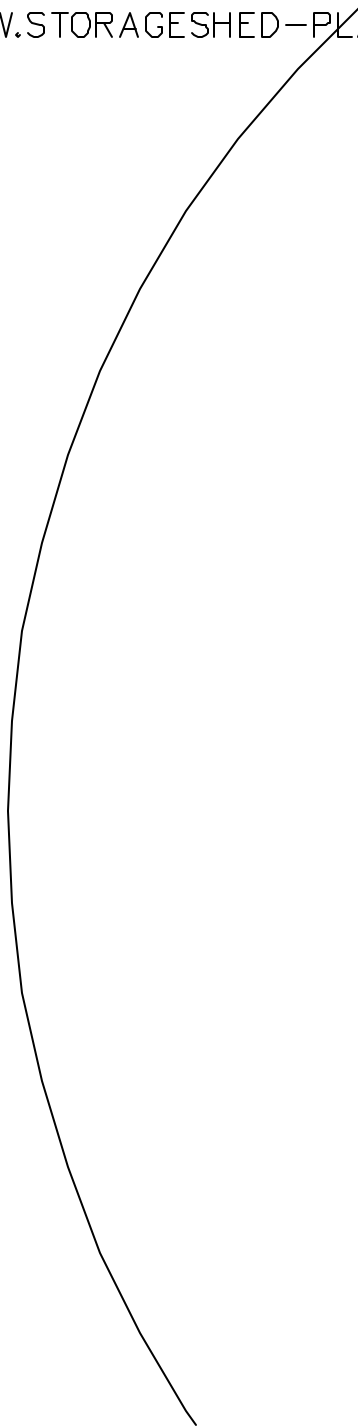


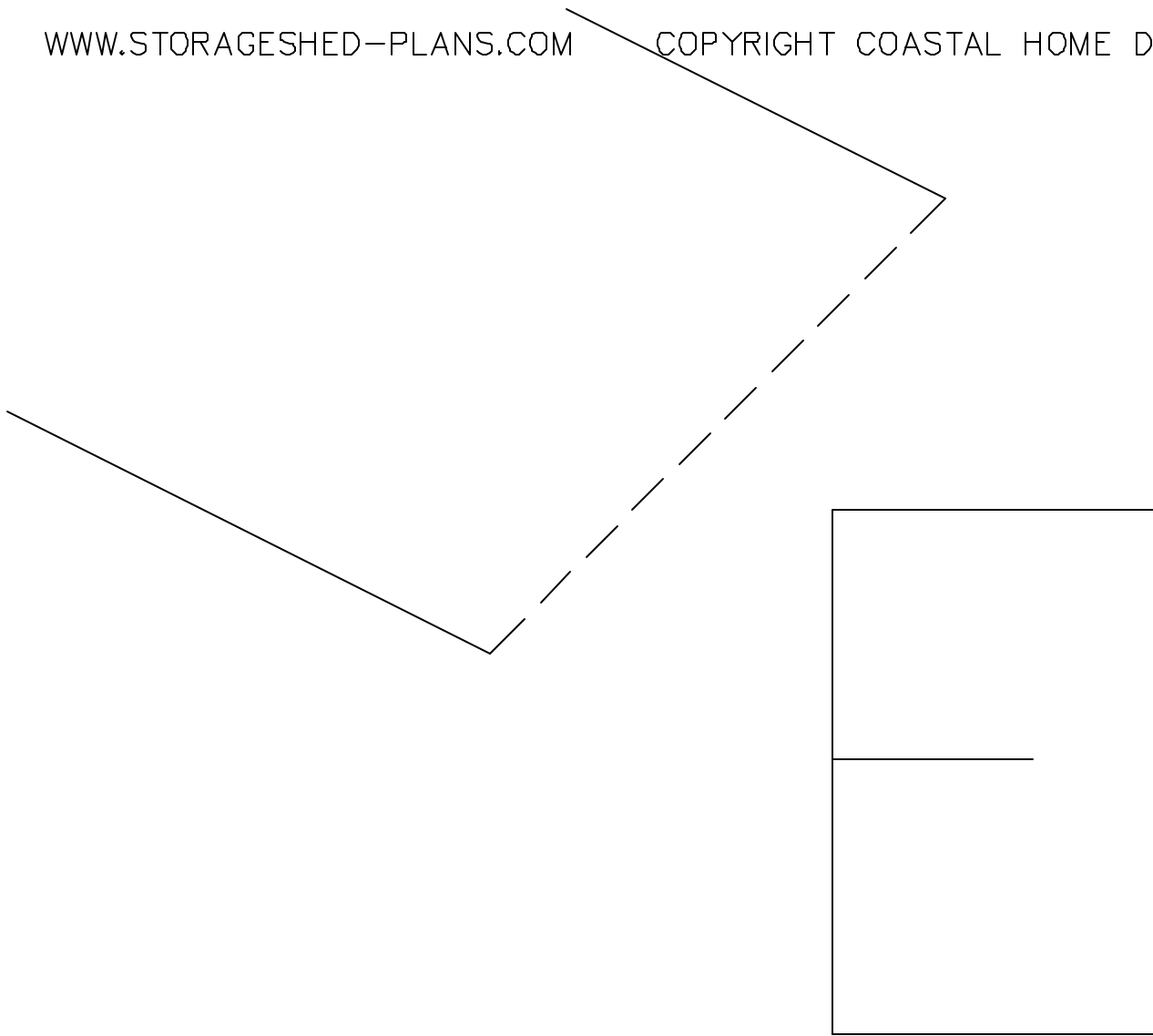


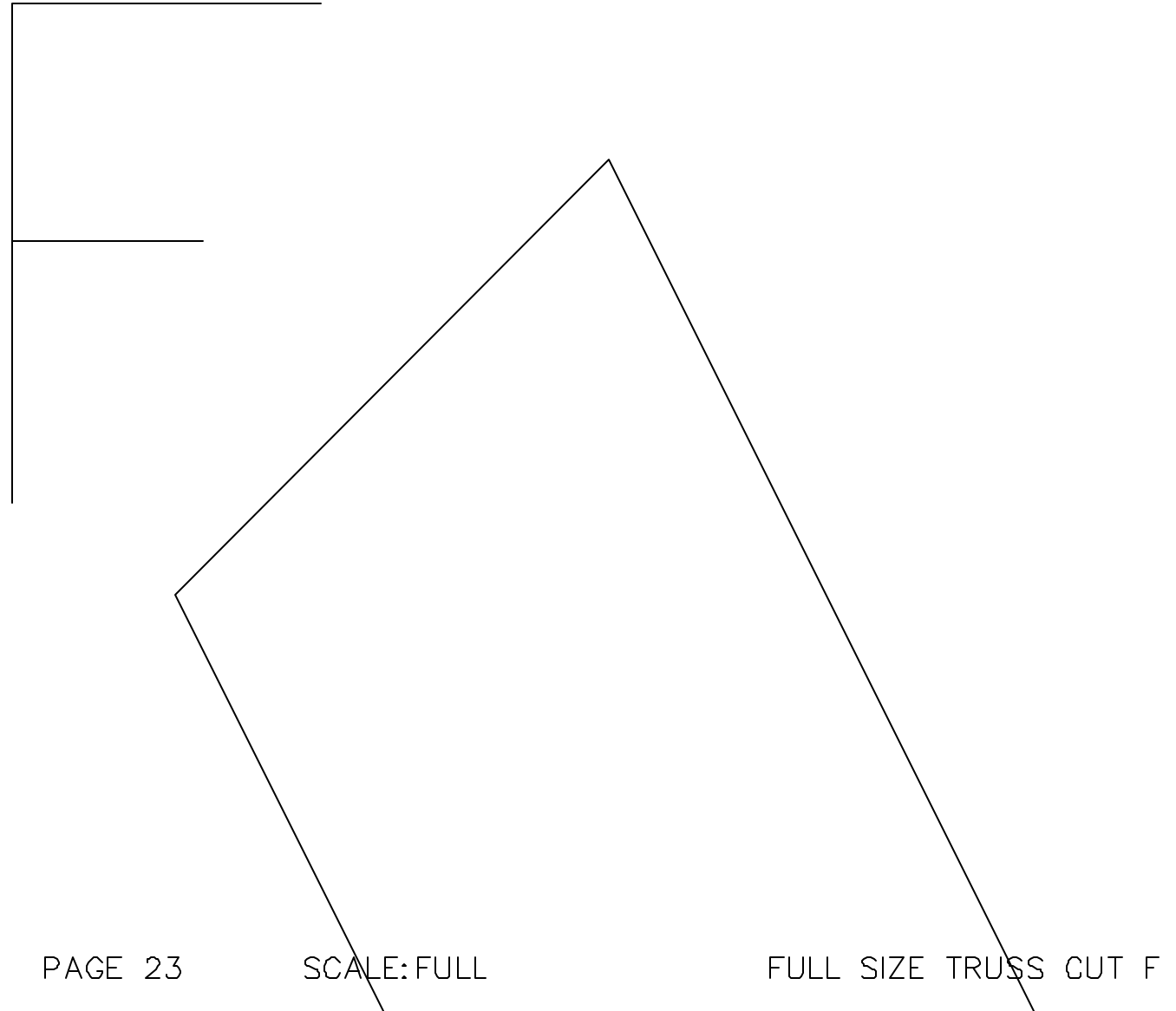


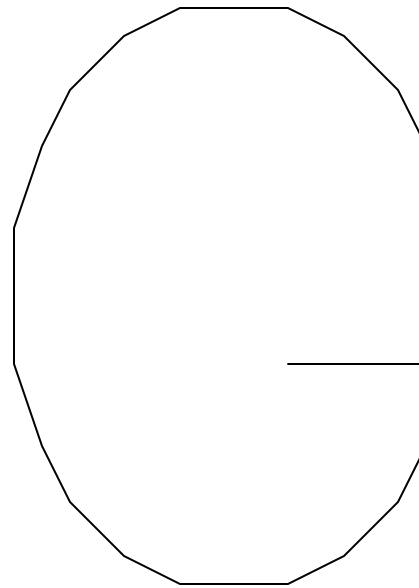
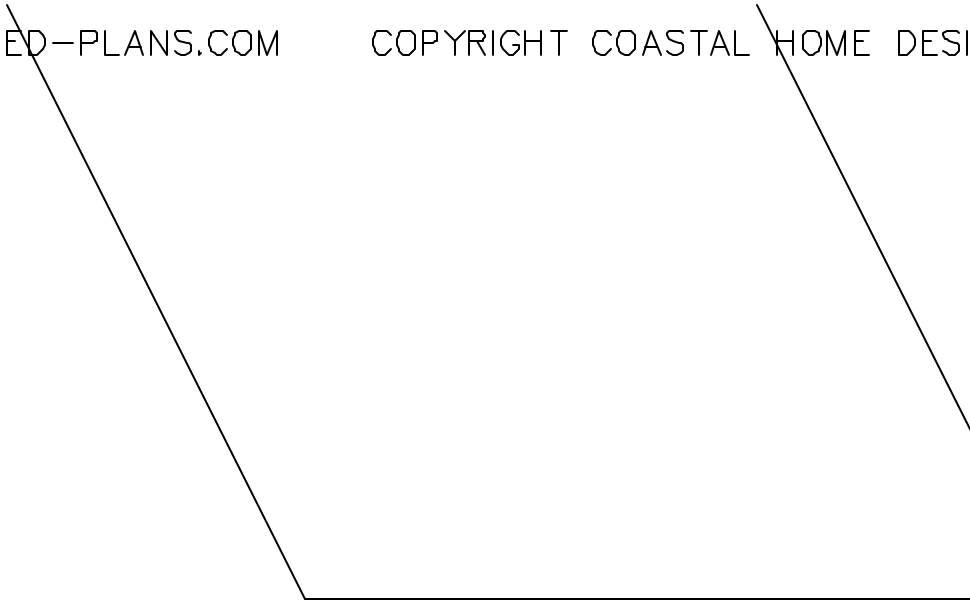


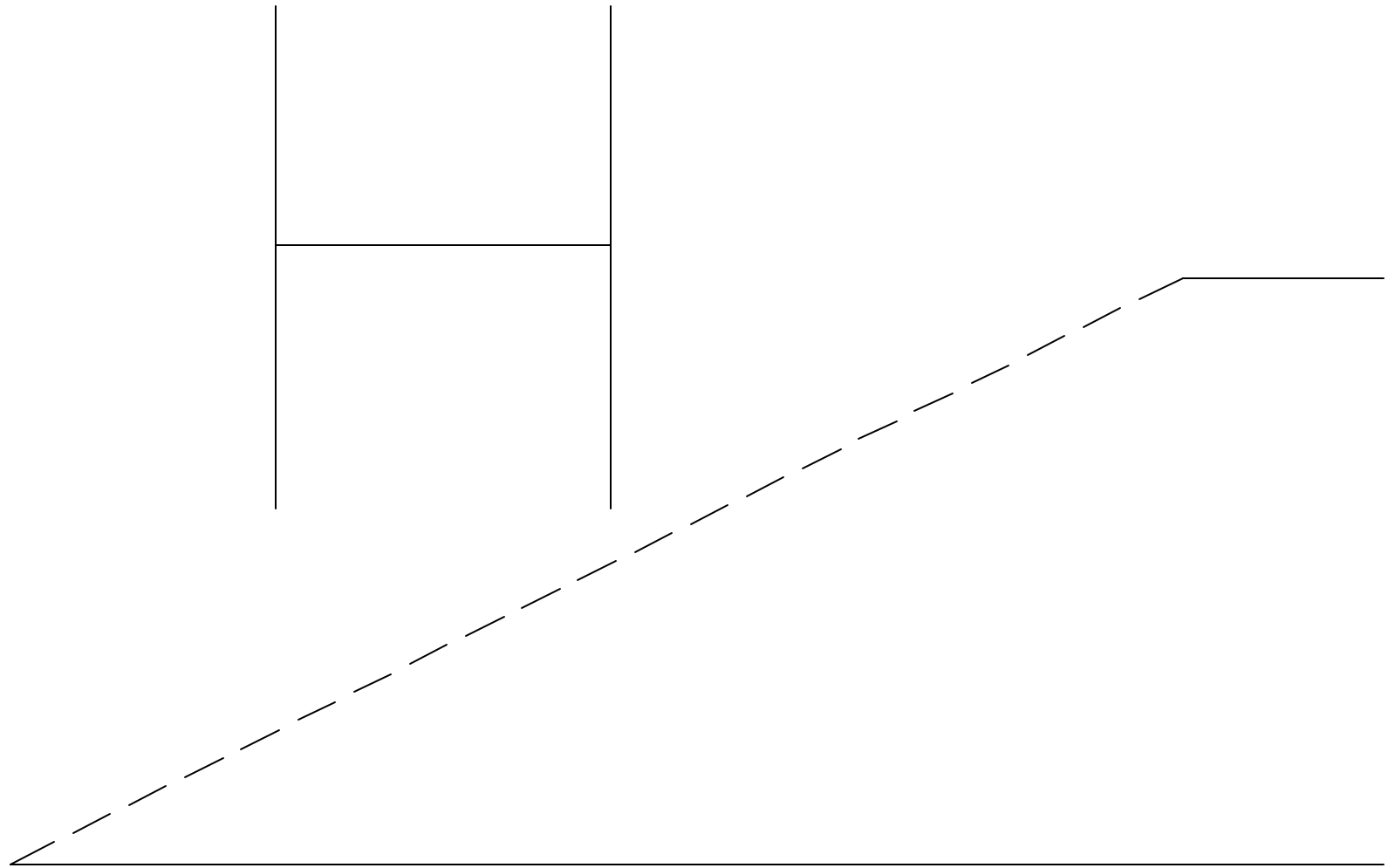


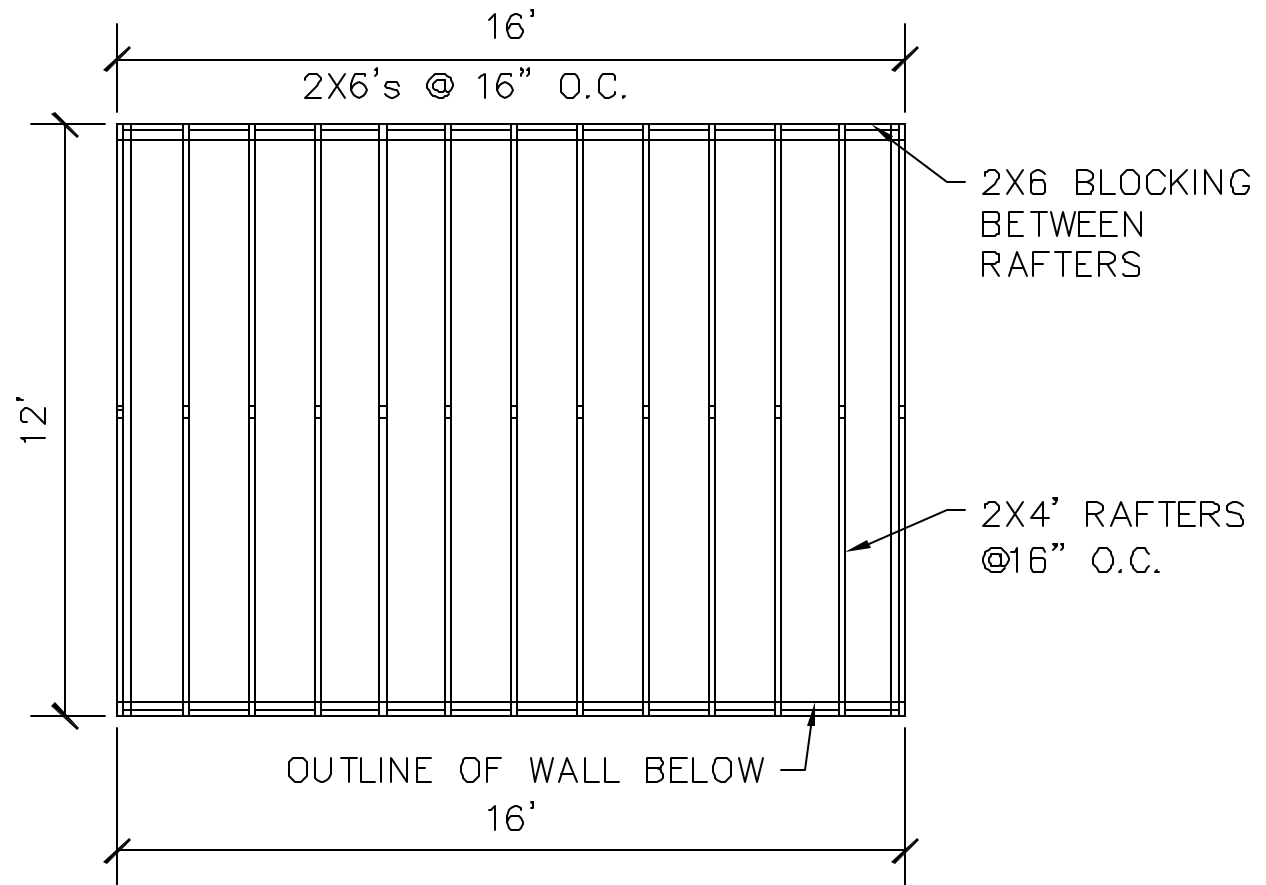


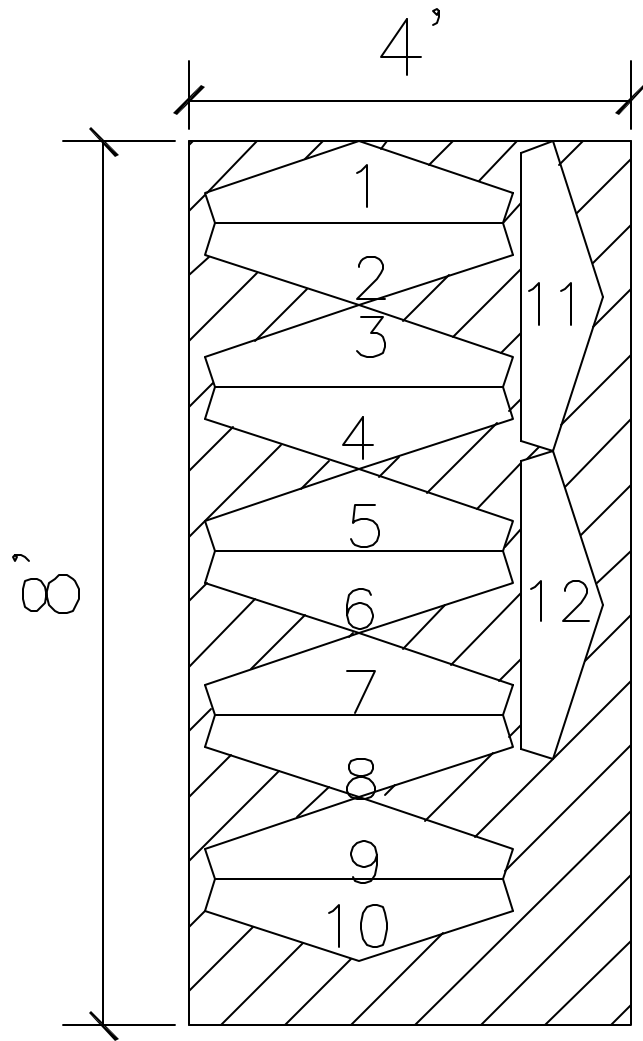




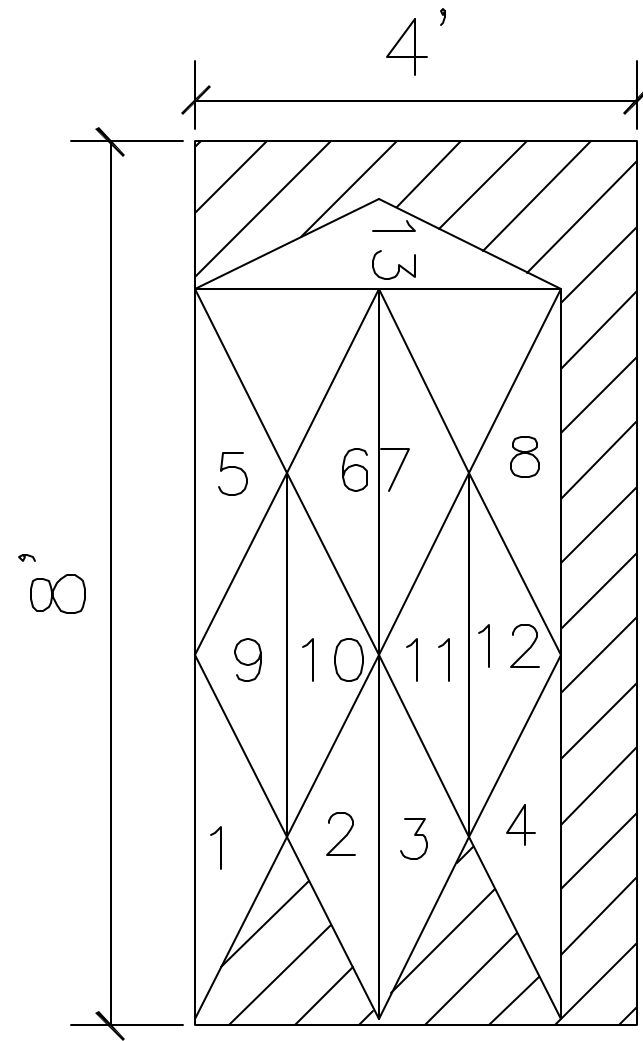








SIDE GUSSET B

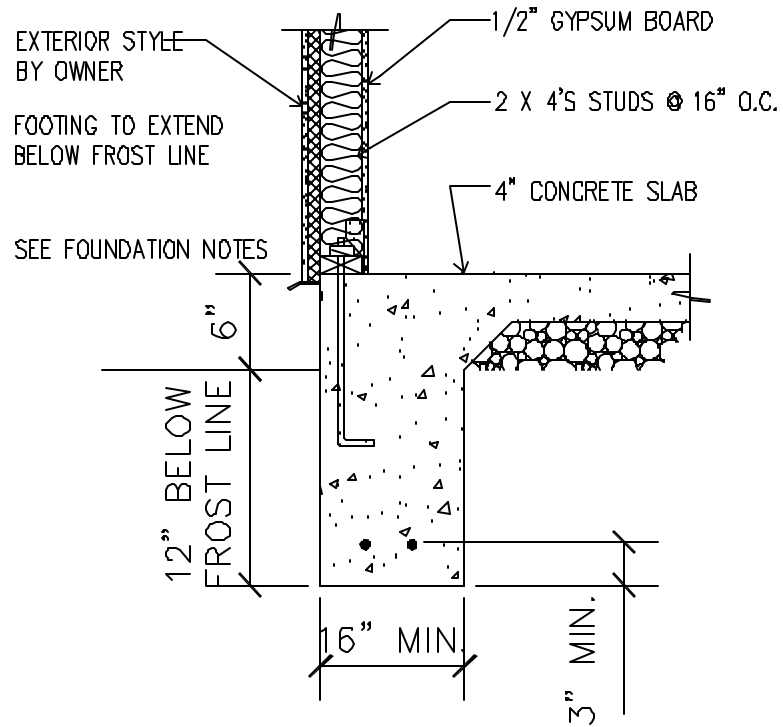


SIDE GUSSET 2

12x16 Barn Material List

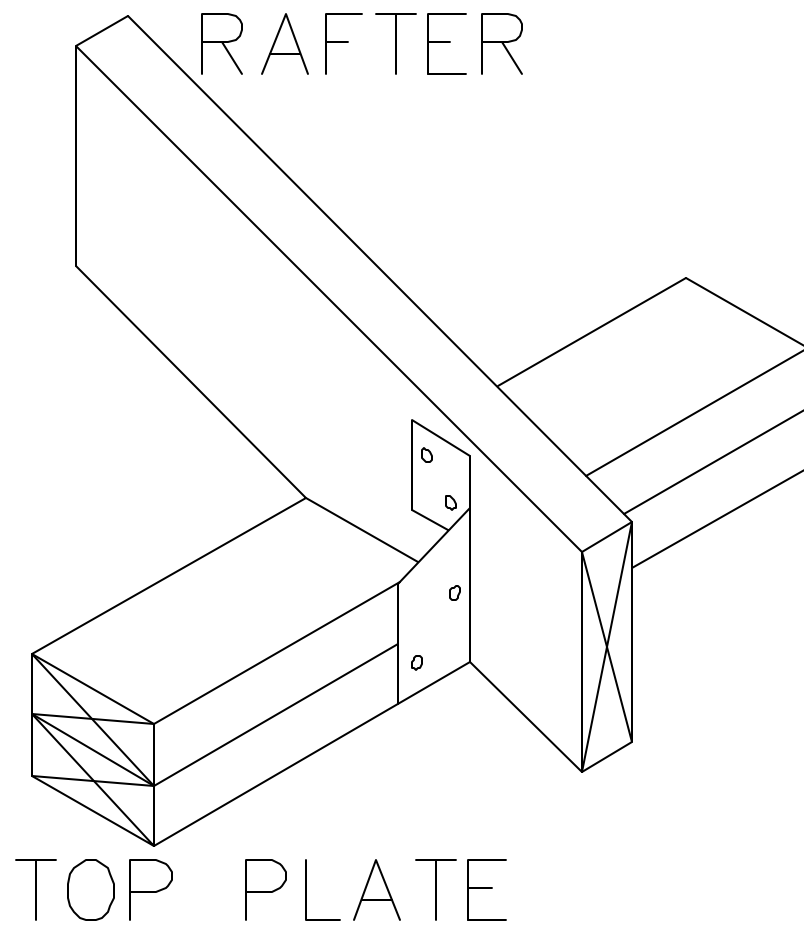
Materials	Size	Qty	Unit
Rough Framing			
Ring Joist (Floor)	2"x4"	56	feet
Joist (Floor)	2"x4"x12'0"	11	each
Floor Sheathing	0 3/4"x4'0"x8'0"	6	shts
Floor Screws		1	ctn
2x4 Precut (B)	2"x4"x92 5/8"	46	each
Wall Stud	2"x4"x31"	2	each
Wall Stud	2"x4"x43"	1	each
Jack Stud	2"x4"x96"	8	each
Gable Framing Studs	2"x4"x5'11"	1	each
Opening Header	2"x10"x8'0"	2	each
Opening Header	2"x10"x3'3"	2	each
Opening Header	2"x10"x3'6"	2	each
Opening Header	2"x10"x1'3"	2	each
Wall Plate	2"x4"	165	feet
Opening Rough Sill	2"x4"x3'0"	1	each
Opening Rough Sill	2"x4"x1'0"	1	each
Gable Framing Plates	2"x4"	62	feet
Wall Sheathing	0 1/2"x4'0"x8'0"	18	shts
Common Rafter	2"x4"x10'	24	each
Ceiling Joist	2"x4"x12'	19	each
Fascia Board	2"x4"	65	feet
Roof Sheathing	0 1/2"x4'0"x8'0"	9	shts
Plywood H-Clip		35	each
Attic Vent		1	each
Plywood Gusset A	0 1/2"x4'0"x8'0"	2	each
Plywood Gusset B	0 1/2"x4'0"x8'0"	4	each
2x6 Wood Blocking	2"x6"x16'	2	each
Concrete Foundation Option			
Concrete Slab	4"	3	cuyd
Stone (Slab)		4	cuyd
Monolithic Footings	12"x12"	3	cuyd
Rebar (Slab)		149	feet
Rebar (Monolithic Ftg)		146	feet
Wire Mesh (Slab)		298	sqft
Wood Skids			
Wood Skids	4"x4"x16'	4	each
Roofing			
Fascia Cladding	1x	67	feet
Eave Start		33	feet
Roof Flashing		57	feet
Stepped Flashing		38	feet
Soffit		2	sqft
Roofing Felt		1	rolls
Asphalt Shingles		9	bndl
Windows & Doors			
18X24 DOUBLE HUNG 1	10"x3'0"	1	each

36X48 DOUBLE HUNG 1	3'0"x4'0"	1 each
36X80 COLONIAL B 1	3'0"x6'8"	1 each
72X80 COLONIAL A 2	6'0"x6'8"	1 each
Entrance Hardware		3 each
Shims		1 bund
Exterior Siding		
R-12 Wall Insulation	3 1/2"	339 sqft
Vapor Barrier (Wall)		430 sqft
Air Retarder		471 sqft
Siding		481 sqft
Siding Starter		57 feet
Siding J-Molding		46 feet
Siding Dripcap		14 feet
Outside Siding Corner		34 feet
Door Casing	4"	39 feet
Window Casing	4"	28 feet
Finish Opt.		
Drywall	0 1/2"	428 sqft
Drywall Compound		22 lbs
Drywall Screws		1 ctn
Drywall Tape		1 roll



CONCRETE SLAB

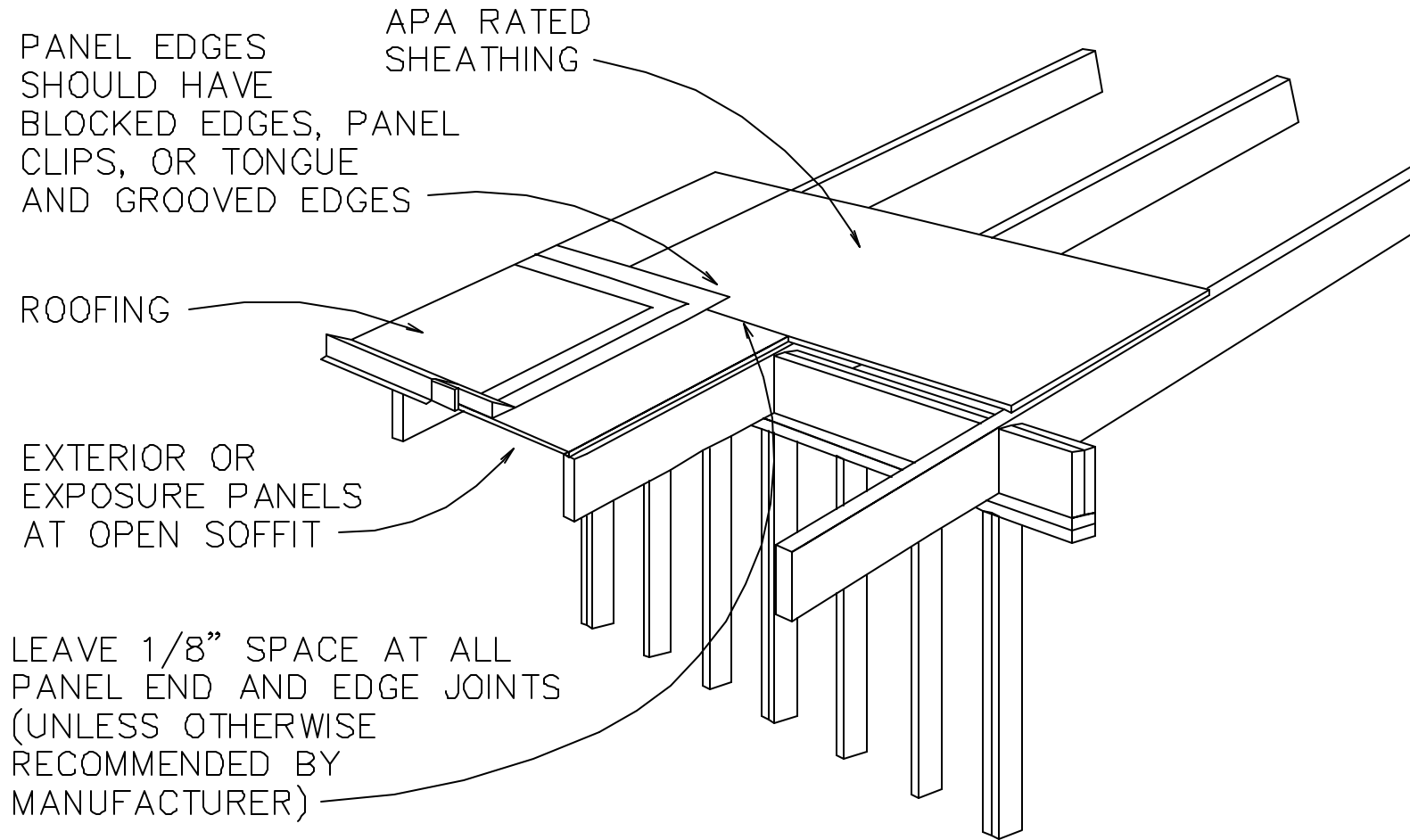
N.T.S.



SIMPSON H 2.5

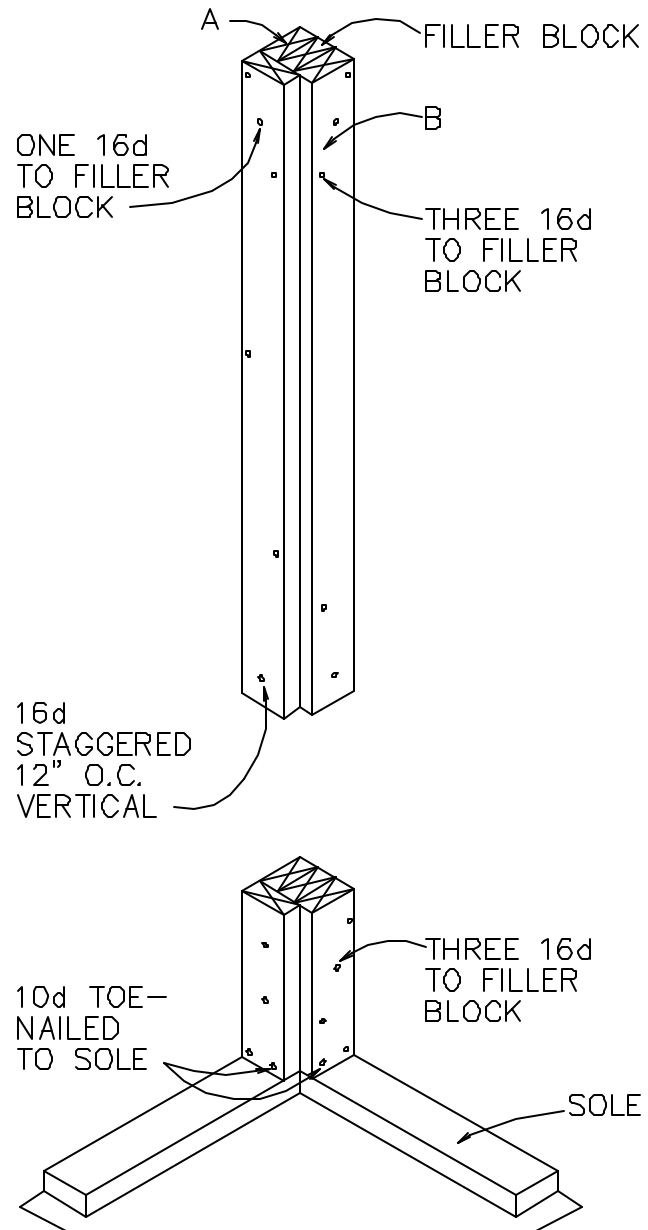
HOLD DOWN @ RAFTER

N.T.S.



OVERHANG DETAIL

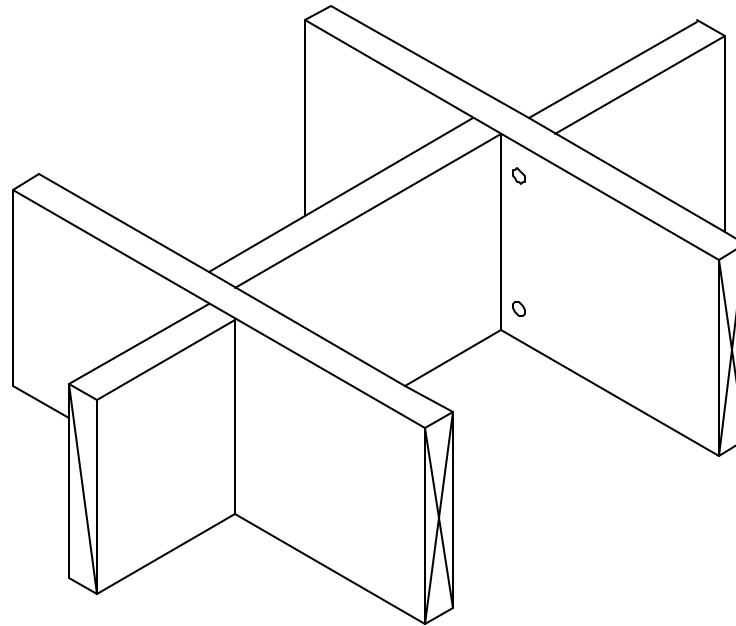
N.T.S.



CORNER FRAMING

N.T.S.

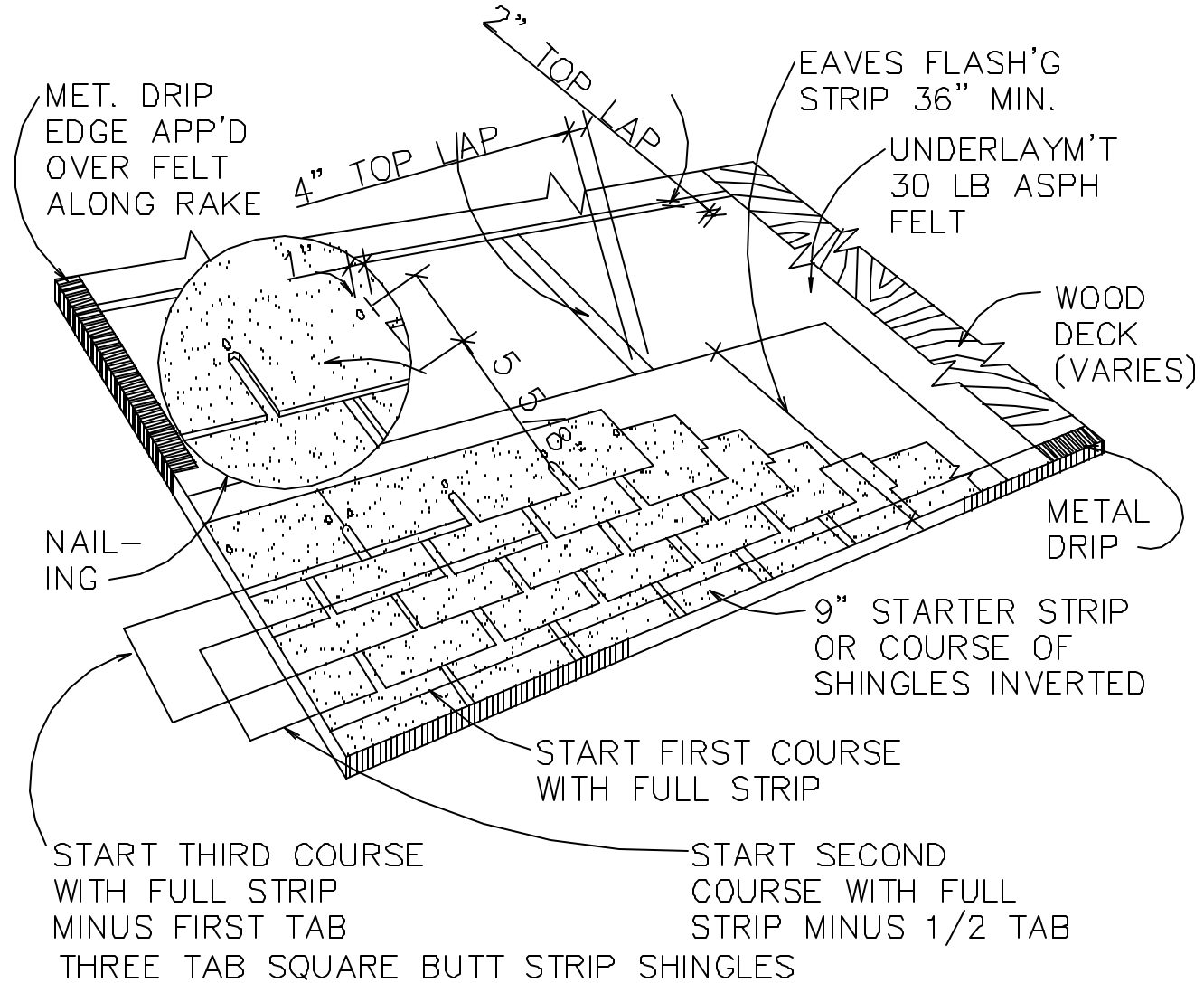
TWO 16d
TOENAILS
EACH END



SOLID BRIDGING
STAGGER BOARDS FOR
EASE OF NAILING

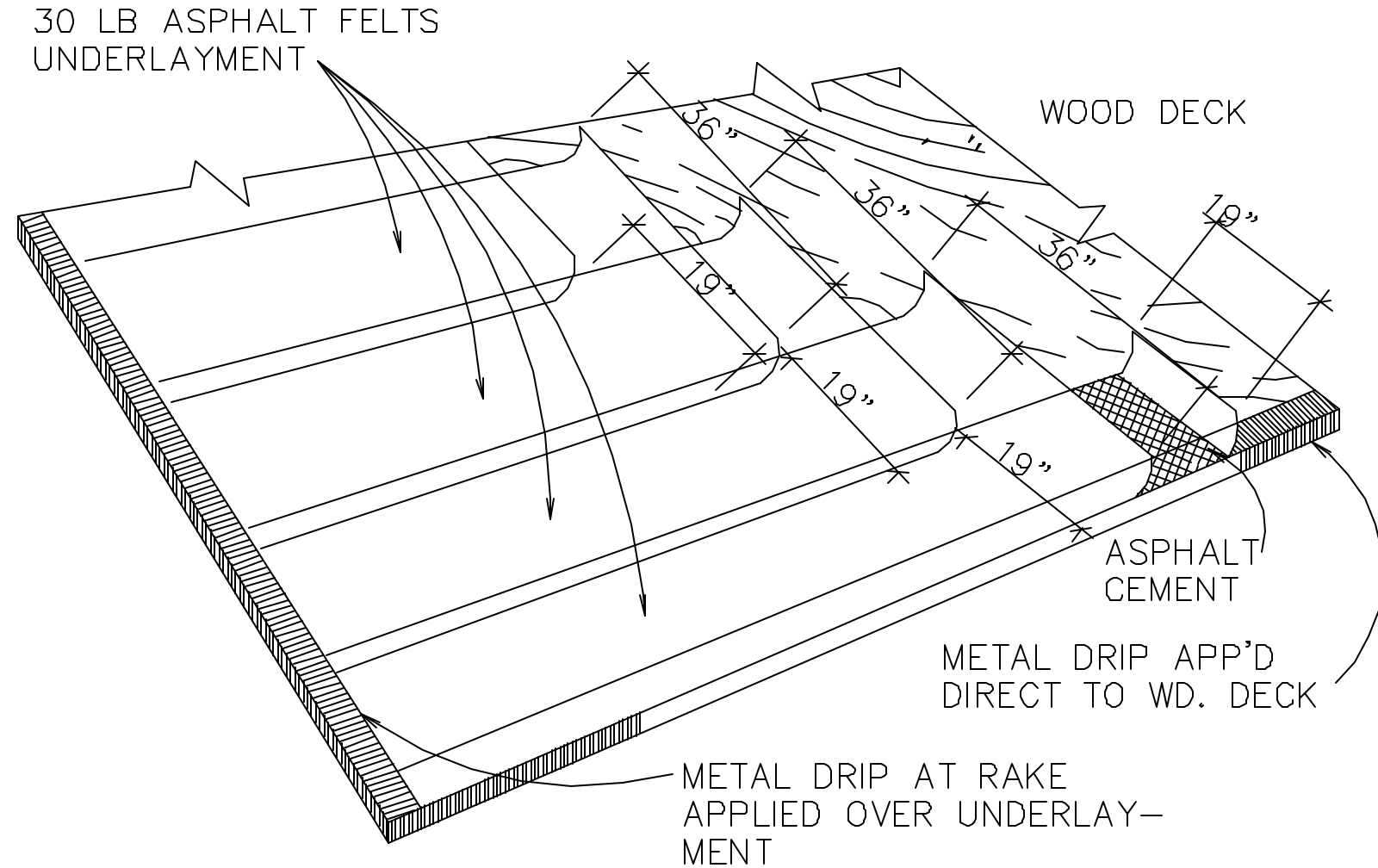
BLOCKING DETAIL

N.T.S.



ROOFING LAYOUT

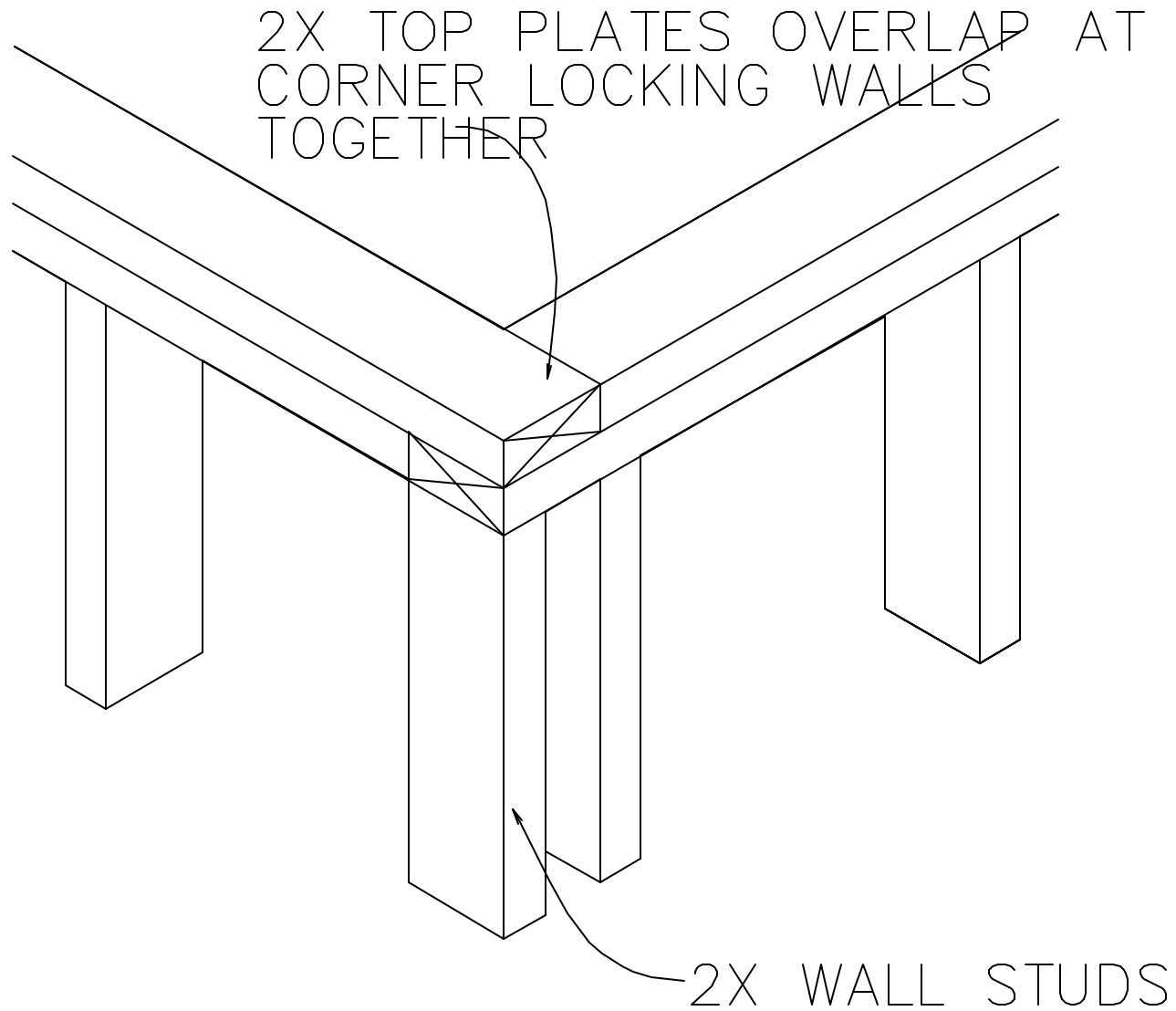
N.T.S.



Use only nails to hold underlayment in place until shingles are laid.

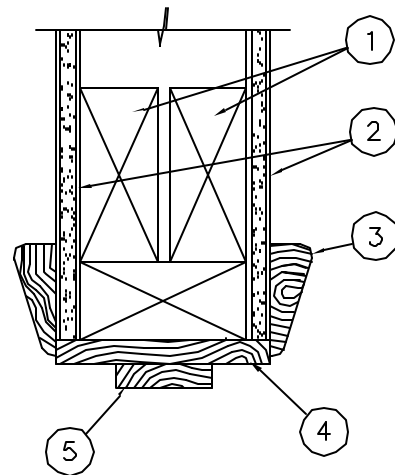
FELT PAPER LAYOUT

N.T.S.



TOP PLATE DETAILS

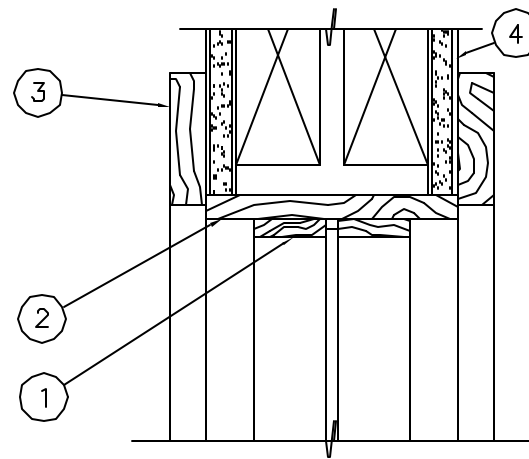
N.T.S.



1. 2 X HEADER.
2. 5/8" GYPSUM BOARD.
3. WOOD TRIM.
4. WOOD HEAD.
5. WOOD STOP.

INTERIOR DOOR HEADER

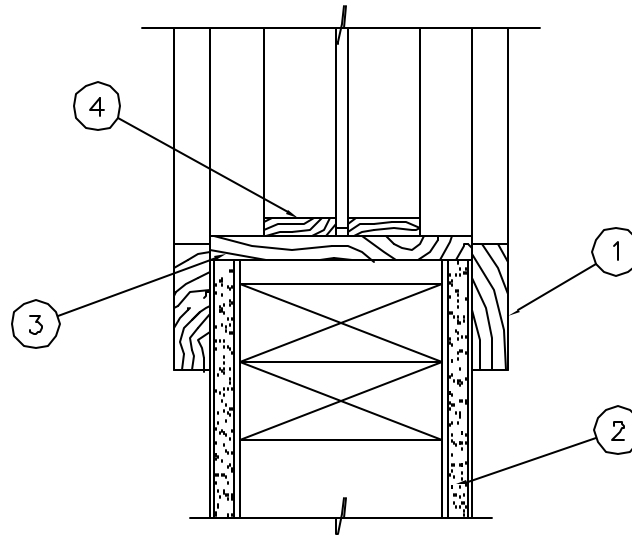
N.T.S.



1. WOOD GLAZING STOPS
STAIN GRADE.
2. 1" JAMB.
3. 1 X 3 TRIM STAIN GRADE.
4. 5/8" GYPSUM BOARD..

WOOD HEAD

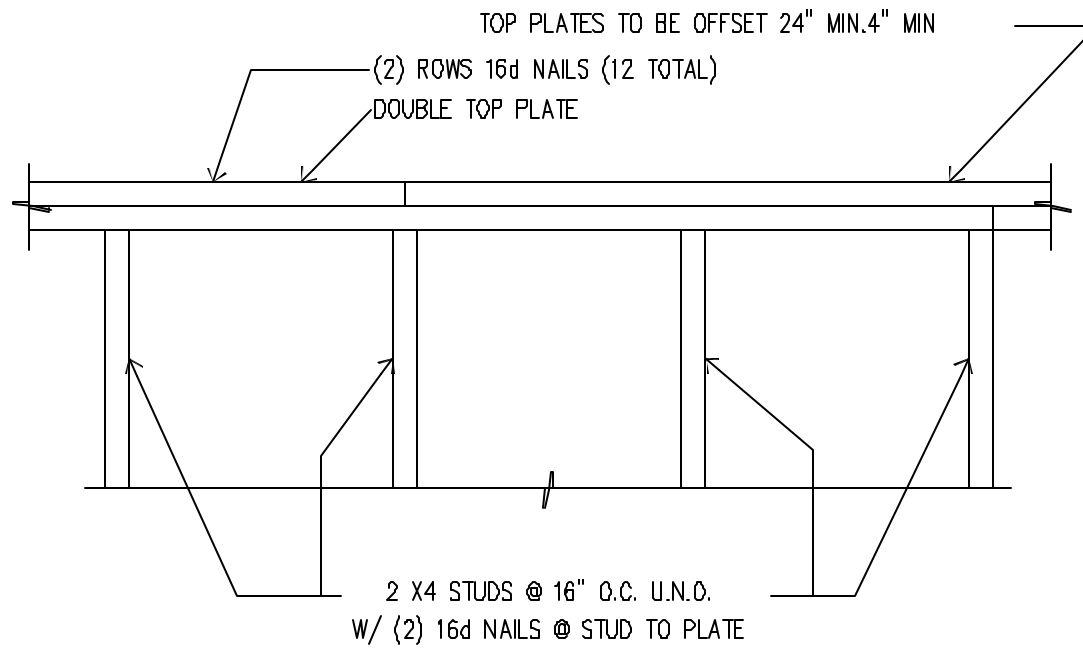
N.T.S.



1. 1 X 3 TRIM STAIN GRADE.
2. 5/8 GYPSUM BOARD.
3. 1" JAMB STAIN GRADE.
4. GLAZING STOPS STAIN GRADE.

WOOD SILL

N.T.S.



TOP PLATE SPLICE

N.T.S.

CDX PLYWOOD SHEAR WALL INSTALLED W/ LONG DIMENSION ACROSS STUDS. STAGGER VERTICAL JOINTS AS PER IRC 2000 R603.7

PANEL SHEATHING USED AS CORNER BRACING W/ LONG DIMENSION PARALLEL TO STUDS

LEAVE 1/4" GAP @ EDGES & 1/8" GAP @ ENDS UNLESS OTHERWISE RECOMMENDED BY MANUFACTURER

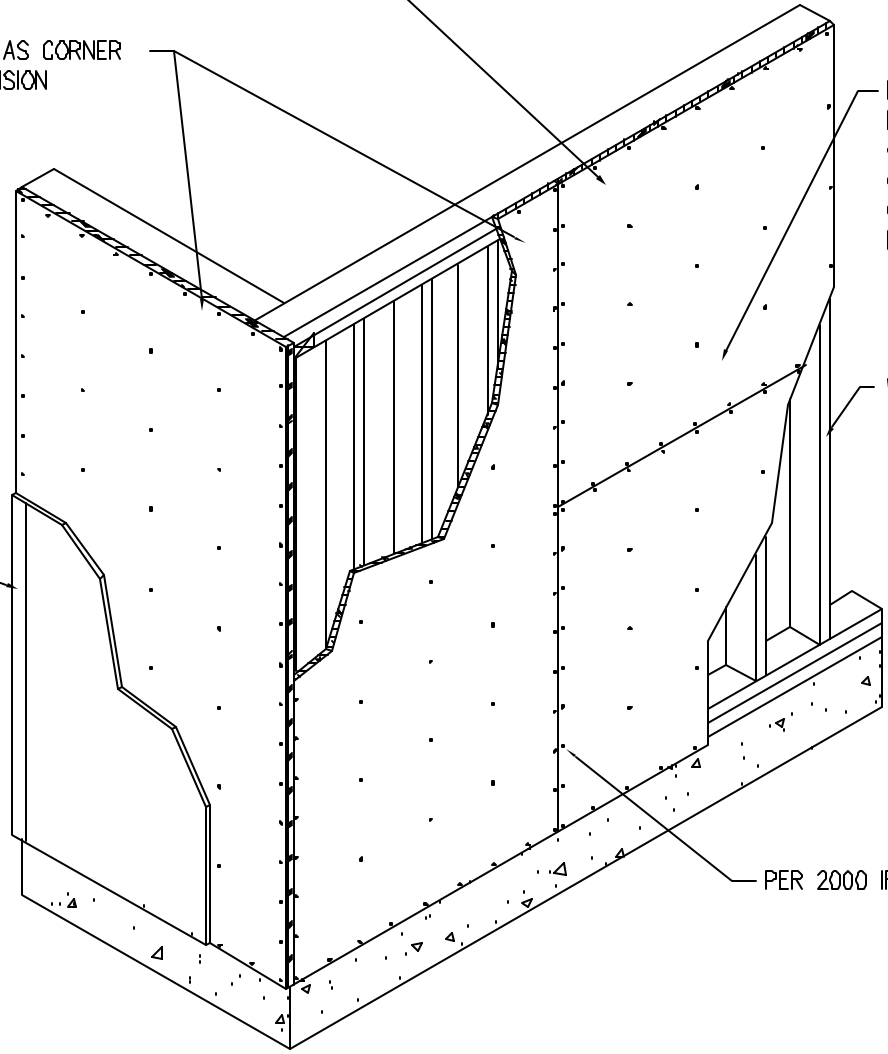
WALL FRAMING

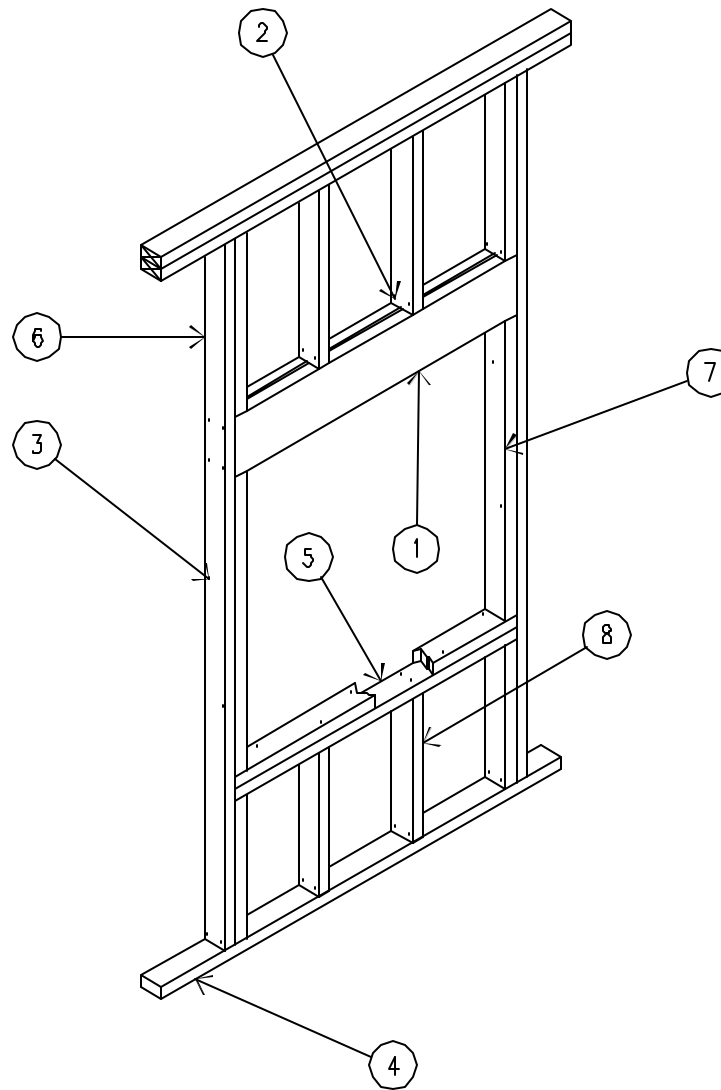
SIDING MATERIAL

PER 2000 IRC

TYPICAL SHEAR WALL

N.T.S.

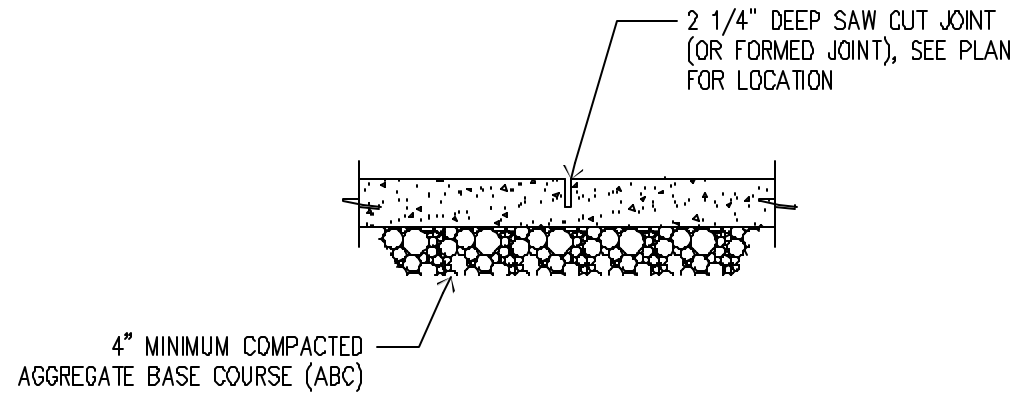




1. DOUBLE HEADER WITH PLYWOOD
2. TOENAIL.
3. 8" O.C. STAGGERED.
4. SOLE PLATE.
5. SILL SHOWN CUT AWAY TO SHOW NAILING.
6. KING STUD.
7. TRIMMER.
8. CRIPPLE STUD.

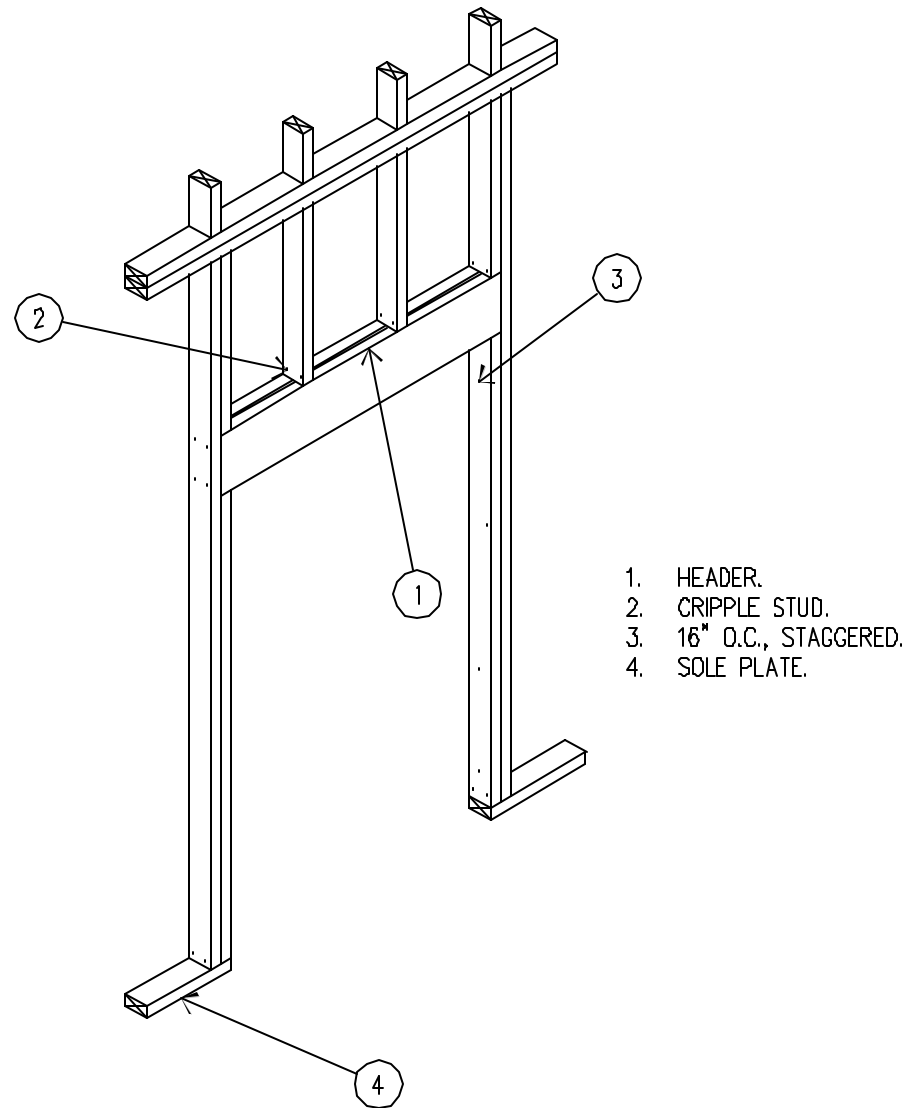
WINDOW OPENING

N.T.S.



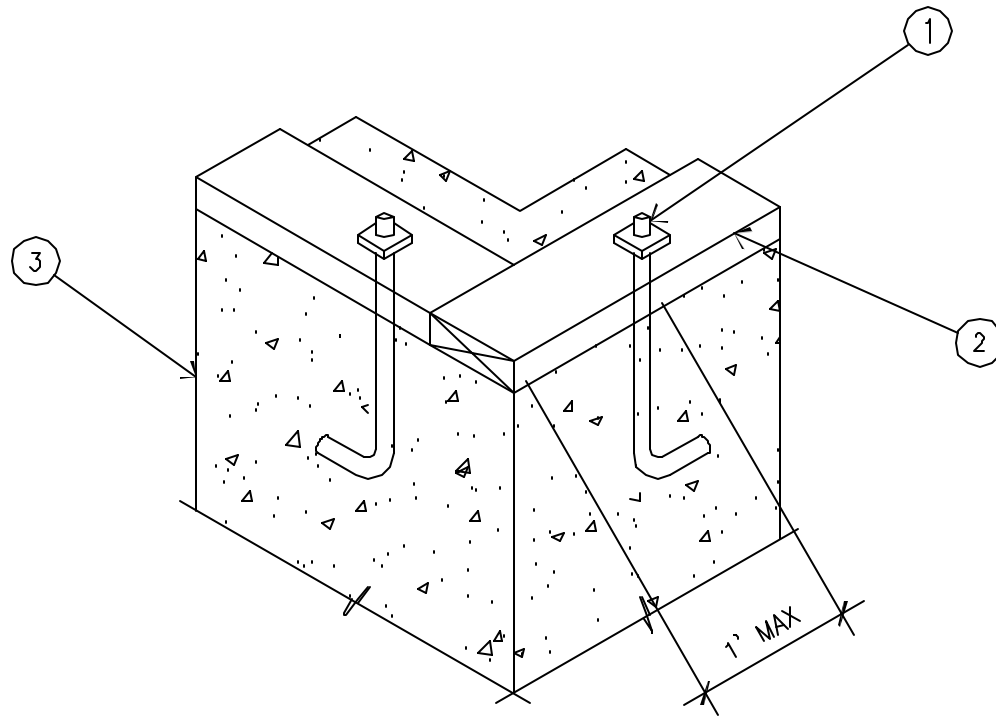
CONTROL JOINT IN SLAB

N.T.S.



DOOR OPENING

N.T.S.



- 1. ANCHOR BOLT.
- 2. 2 X 6 SILL PLATE.
- 3. CONCRETE FOUNDATION

2 X 4 SILL

N.T.S.