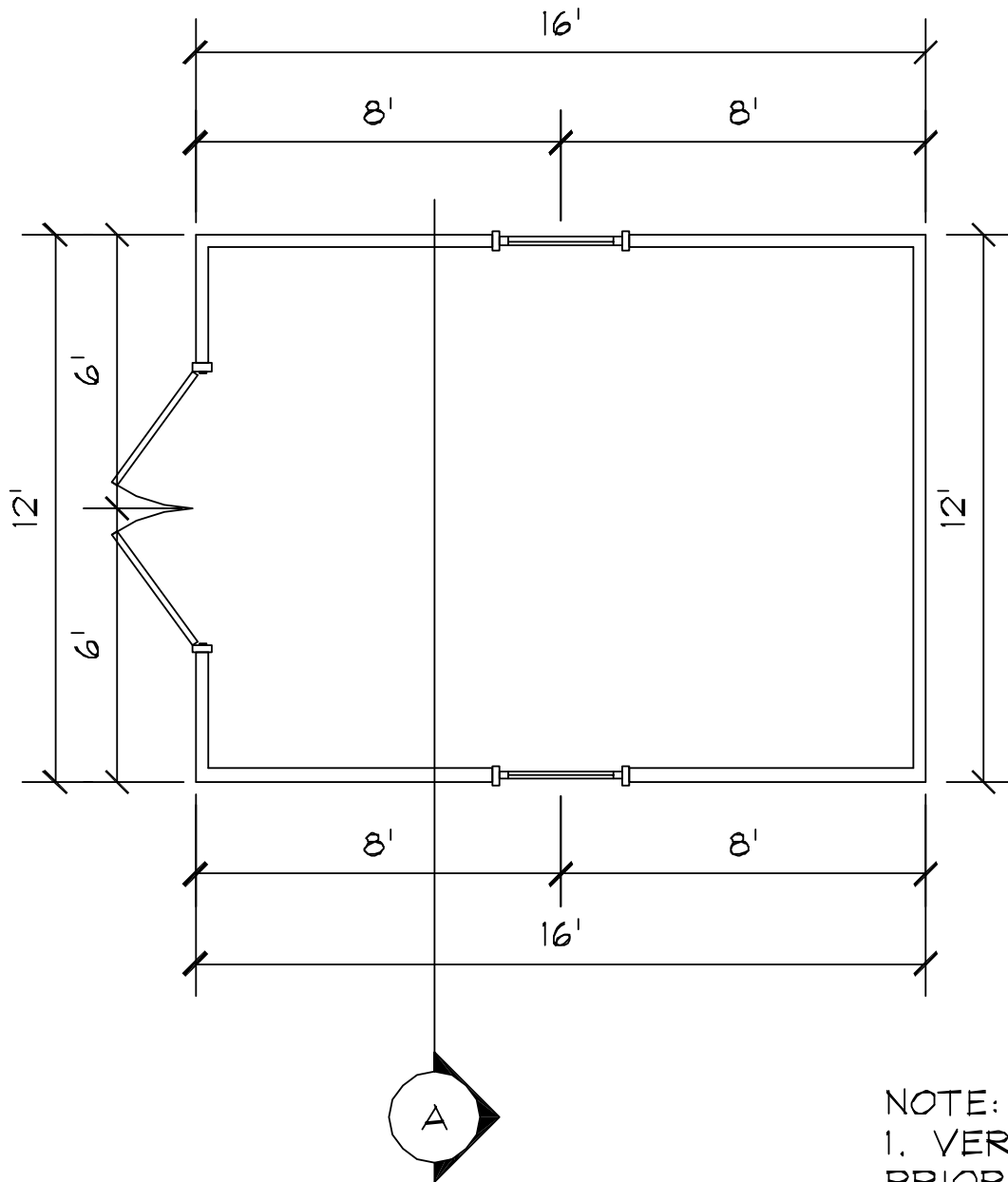


# PROJECT PLAN INDEX

---

DISCLAMER	1
FLOOR PLAN	2
FOUNDATION PLAN	3
ROOF PLAN	4
DEXULE FRONT ELEVATION	5
DEXULE REAR ELEVATION	6
DEXULE SIDE ELEVATION	7
RAFTER TEMPLATE	8
FULL SIZE RIDGE TEMPLATE	9
FULL SIZE SEAT TEMPLATE	10
FULL SIZE GABLE TEMPLATE	11
WALL SECTION	12
ECONMY FRONT ELEVATION	13
ECONMY REAR ELEVATION	14
ECONMY SIDE ELEVATION	15



- NOTE:
1. VERIFY ALL ROUGH OPENINGS PRIOR TO CONSTRUCTION.
  2. 2X4 STUD WALLS 16" O.C.

